



Fiberbuilt

UMBRELLAS & CUSHIONS

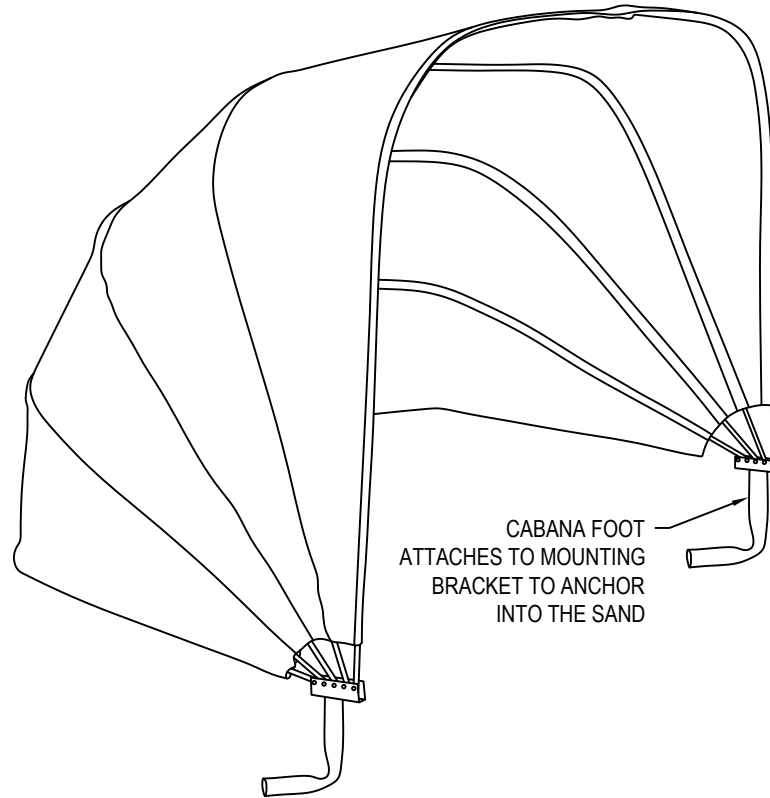
FIBERBUILT UMBRELLAS
P.O. BOX 9060
FT. LAUDERDALE, FL 33310
TOLL FREE: 1-866-667-8668
PHONE: (954) 484-9139
FAX: (954) 484-4654
www.fiberbuiltumbrellas.com

SELECT DESIRED MODEL:

STANDARD CABANA (CAB-8067)

CABANA WITH MESH PANEL*
(B-CABANA-M)

*AN OPTIONAL OPEN WEAVE MESH
PANEL FOR ADDED WIND RESISTANCE.
CONSULT FACTORY.



CABANA FOOT
ATTACHES TO MOUNTING
BRACKET TO ANCHOR
INTO THE SAND

PERSPECTIVE

FEATURES

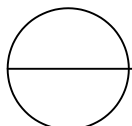
- SIZE: 80" W X 67" D X 67" H
- FITS TWO SIDE BY SIDE STANDARD CHAISE LOUNGES
- 3/4" AND 1/2" DIAM. ALUMINUM RIBS WITH MILL FINISH
- COVER IS MADE OF MARINE GRADE, SOLUTION DYED ACRYLIC
- ALUMINUM HARDWARE AND FOOT
- FOR GREATER STABILITY, 5" X 12" CABANA FOOT INSERTS INTO SAND
- WEIGHT: 32 LBS

MANUFACTURER NOTES:

1. FABRIC OPTIONS ARE AVAILABLE. CONSULT YOUR REPRESENTATIVE, VISIT OUR WEBSITE OR CONTACT THE FACTORY FOR ADDITIONAL INFORMATION.

NOTES:

1. INSTALLATION TO BE COMPLETED IN ACCORDANCE WITH MANUFACTURER'S SPECIFICATIONS.
2. DO NOT SCALE DRAWING.
3. THIS DRAWING IS INTENDED FOR USE BY ARCHITECTS, ENGINEERS, CONTRACTORS, CONSULTANTS AND DESIGN PROFESSIONALS FOR PLANNING PURPOSES ONLY. THIS DRAWING MAY NOT BE USED FOR CONSTRUCTION.
4. ALL INFORMATION CONTAINED HEREIN WAS CURRENT AT THE TIME OF DEVELOPMENT BUT MUST BE REVIEWED AND APPROVED BY THE PRODUCT MANUFACTURER TO BE CONSIDERED ACCURATE.
5. CONTRACTOR'S NOTE: FOR PRODUCT AND COMPANY INFORMATION VISIT www.CADdetails.com/info AND ENTER REFERENCE NUMBER 5294-017



UMBRELLAS - BEACH COLLECTION

BEACH CABANA