



Fiberbuilt

UMBRELLAS & CUSHIONS

FIBERBUILT UMBRELLAS
 P.O. BOX 9060
 FT. LAUDERDALE, FL 33310
 TOLL FREE: 1-866-667-8668
 PHONE: (954) 484-9139
 FAX: (954) 484-4654
 www.fiberbuiltumbrellas.com

SELECT DESIRED SIZE & SHAPE:

7 1/2' HEX

SELECT DESIRED FINISH COLOR:

- W - WHITE
- CB - CHAMPAGNE BRONZE
- A - BRIGHT ALUMINUM

SELECT DESIRED CANOPY COLOR:

- FOREST GREEN YELLOW
- RED NATURAL
- PACIFIC BLUE NAVY BLUE
- BEIGE BLACK
- BURGUNDY TEAL

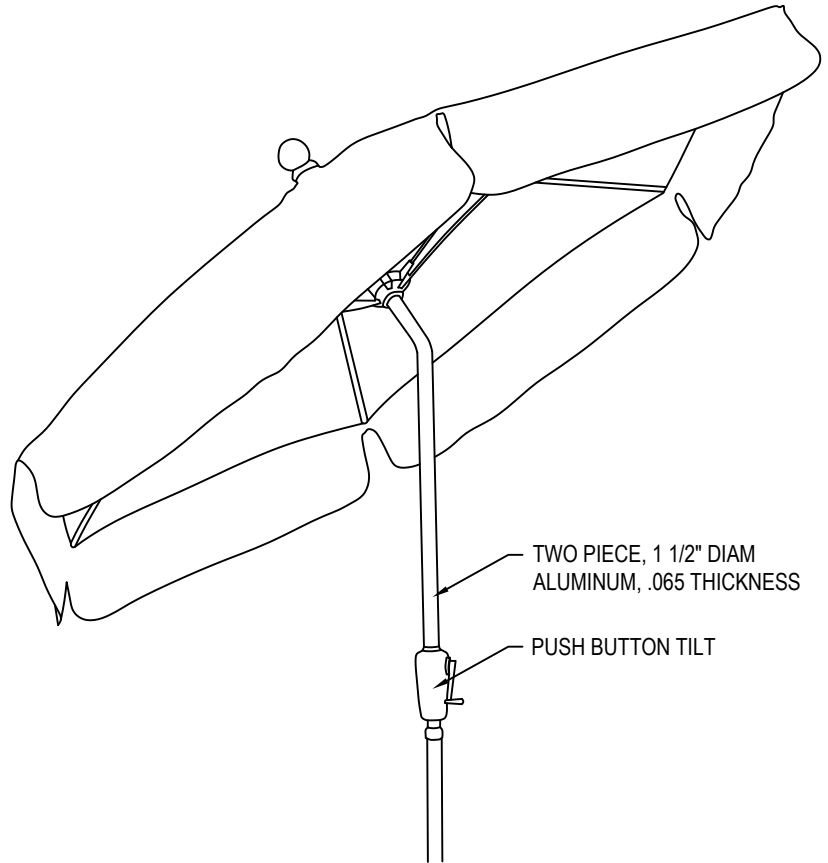
SELECT DESIRED LIFT:

- CRANK
- PUSH UP

SELECT DESIRED ACCESSORY*:

- PUSH BUTTON TILT

*TILT OPTION AVAILABLE
ON SOME MODELS



PERSPECTIVE

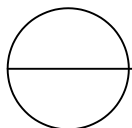
<u>SPECIFICATIONS</u>	7 1/2' HEX	7 1/2' HEX
MODEL #:	7GCR-T	7GPU
FIBERGLASS RIBS:	(6) 3/8" DIAM	(6) 3/8" DIAM
LIFT:	CRANK	PUSH UP
HEIGHT:	90"	90"
WEIGHT:	15 LBS	15 LBS

MANUFACTURER NOTES:

- CUSHIONS AND PILLOWS, BASES, CUSTOM LOGO, CANOPY PATTERNS AND FABRIC OPTIONS ARE AVAILABLE. CONSULT YOUR REPRESENTATIVE, VISIT OUR WEBSITE OR CONTACT THE FACTORY FOR ADDITIONAL INFORMATION.

NOTES:

- INSTALLATION TO BE COMPLETED IN ACCORDANCE WITH MANUFACTURER'S SPECIFICATIONS.
- DO NOT SCALE DRAWING.
- THIS DRAWING IS INTENDED FOR USE BY ARCHITECTS, ENGINEERS, CONTRACTORS, CONSULTANTS AND DESIGN PROFESSIONALS FOR PLANNING PURPOSES ONLY. THIS DRAWING MAY NOT BE USED FOR CONSTRUCTION.
- ALL INFORMATION CONTAINED HEREIN WAS CURRENT AT THE TIME OF DEVELOPMENT BUT MUST BE REVIEWED AND APPROVED BY THE PRODUCT MANUFACTURER TO BE CONSIDERED ACCURATE.
- CONTRACTOR'S NOTE: FOR PRODUCT AND COMPANY INFORMATION VISIT www.CADdetails.com/info AND ENTER REFERENCE NUMBER 5294-021



UMBRELLAS - HOME COLLECTION

GARDEN