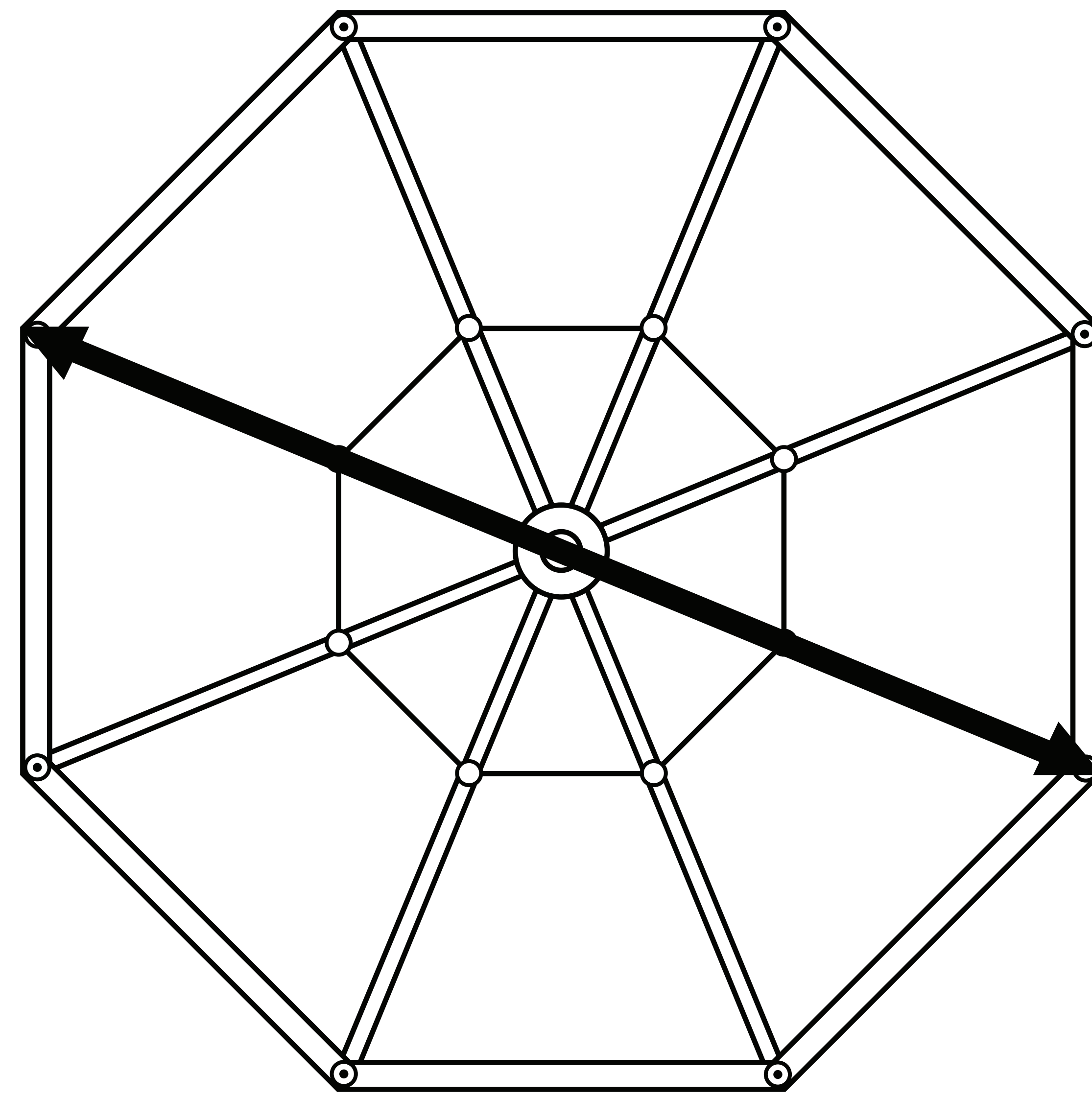


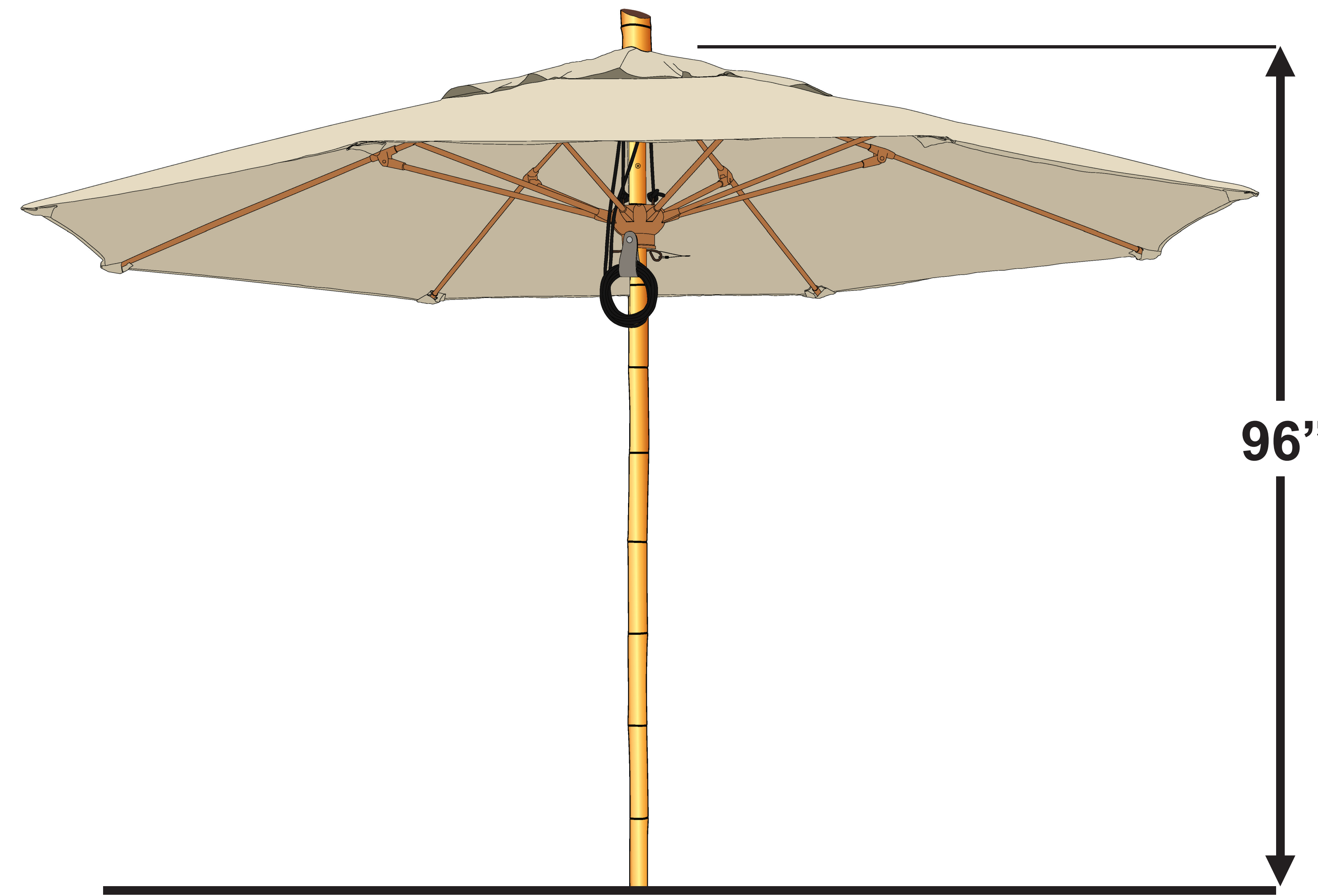
**PLAN VIEW**

9.0'

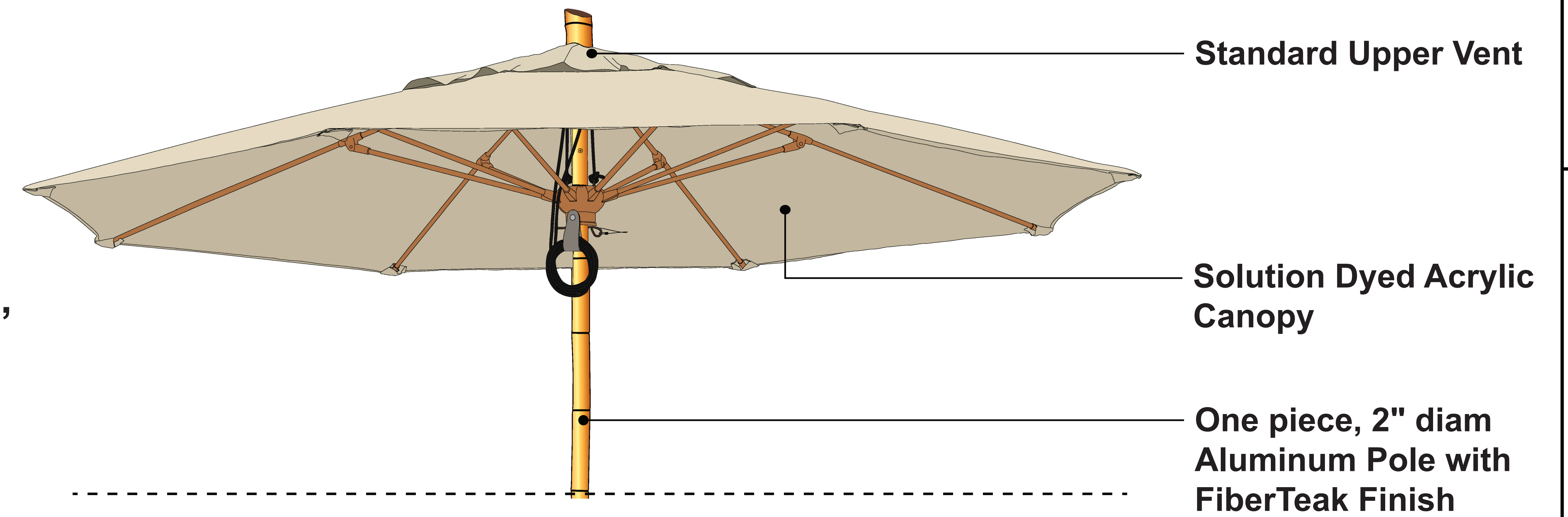


- **9' OCTAGON**
- **FIBERGLASS RIBS 3/4" DIAM**
- **ALUMINUM POLE 2" DIAM**

**FRONT ELEVATION**



**COMPONENTS**

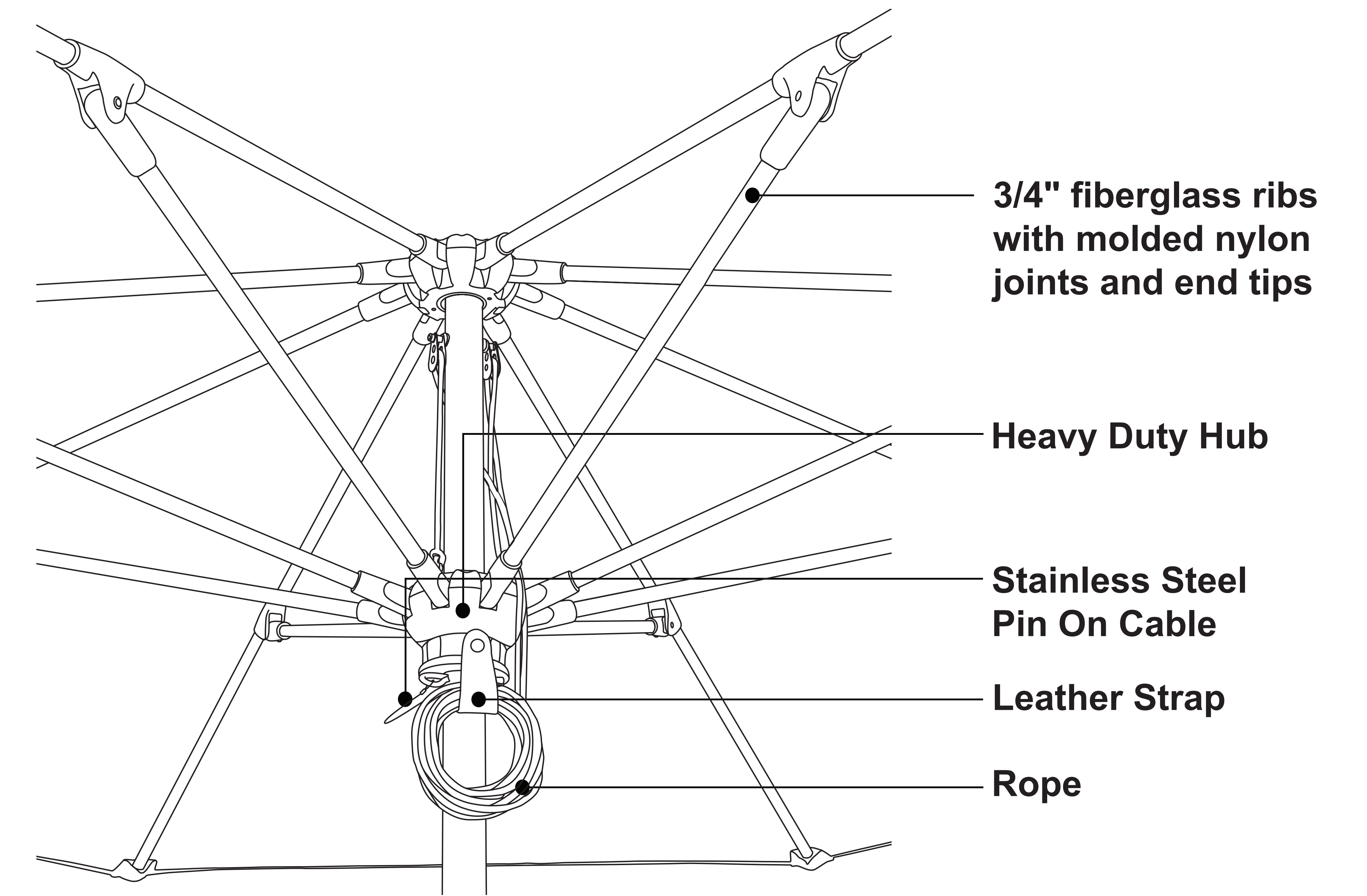


**A**



**DETAIL A**  
INTERNAL VIEW  
OF POLE CONSTRUCTION

**B**



**DETAIL B**  
RIB, HUB AND PULLEY  
ASSEMBLY

**GENERAL NOTES:**

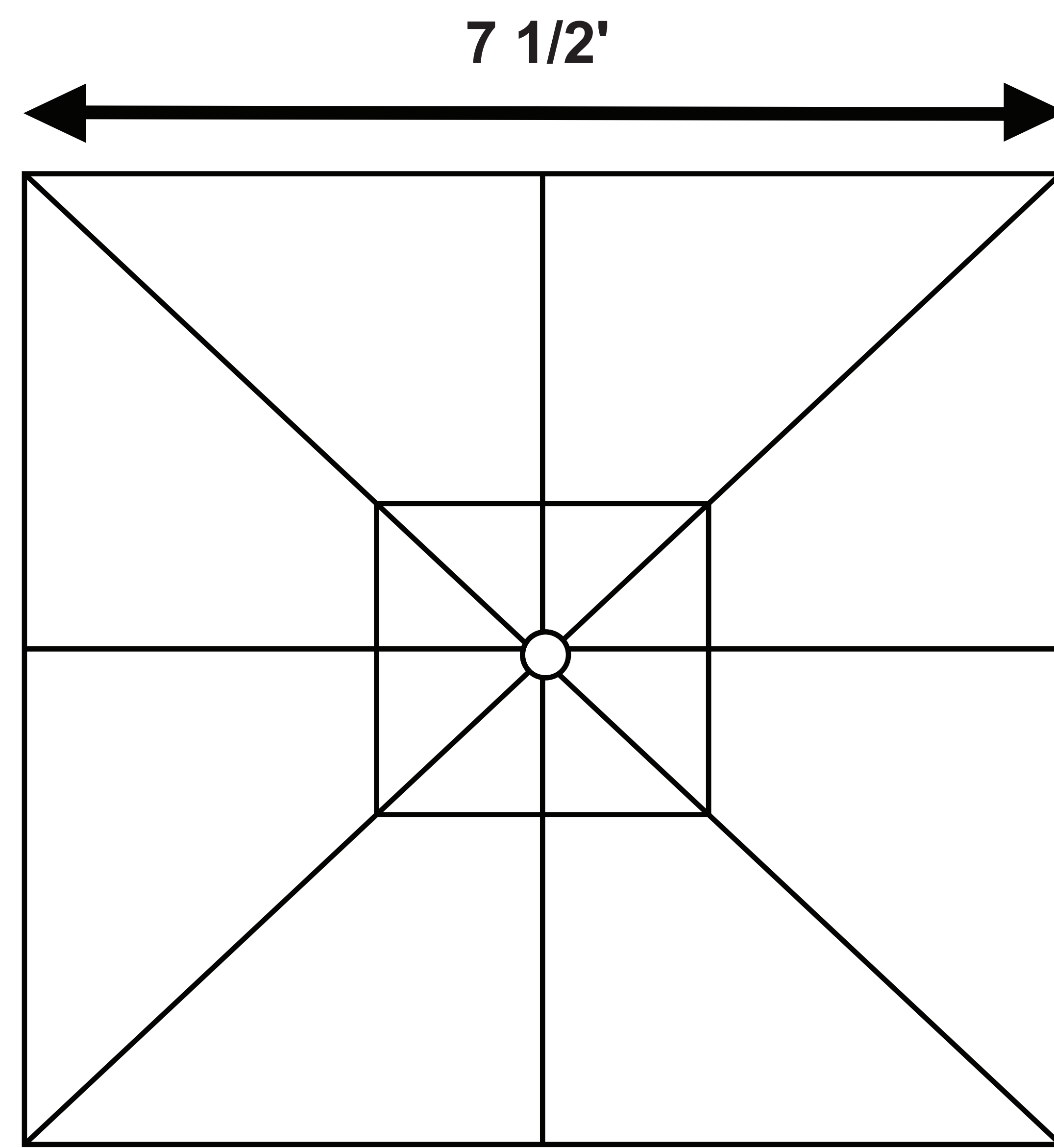
1. All Dimensions Are In Inches.
2. 93% Manufactured In The **USA**.

**Available Sizes**

8' oct, Push Up & Pin Lift Height: 96" Weight: 32 lbs	9' oct, Push Up & Pin Lift Height: 96" Weight: 36 lbs	11' oct, Pulley & Pin Lift Height: 102" Weight: 40 lbs	13' oct, Pulley & Pin Lift Height: 108" Weight: 58 lbs
---	---	--	--

<b>PRESTIGE COLLECTION</b>
<b>MODEL: BAMBUSA OCTAGON</b>
<b>DRAWING DATE: 2026</b>

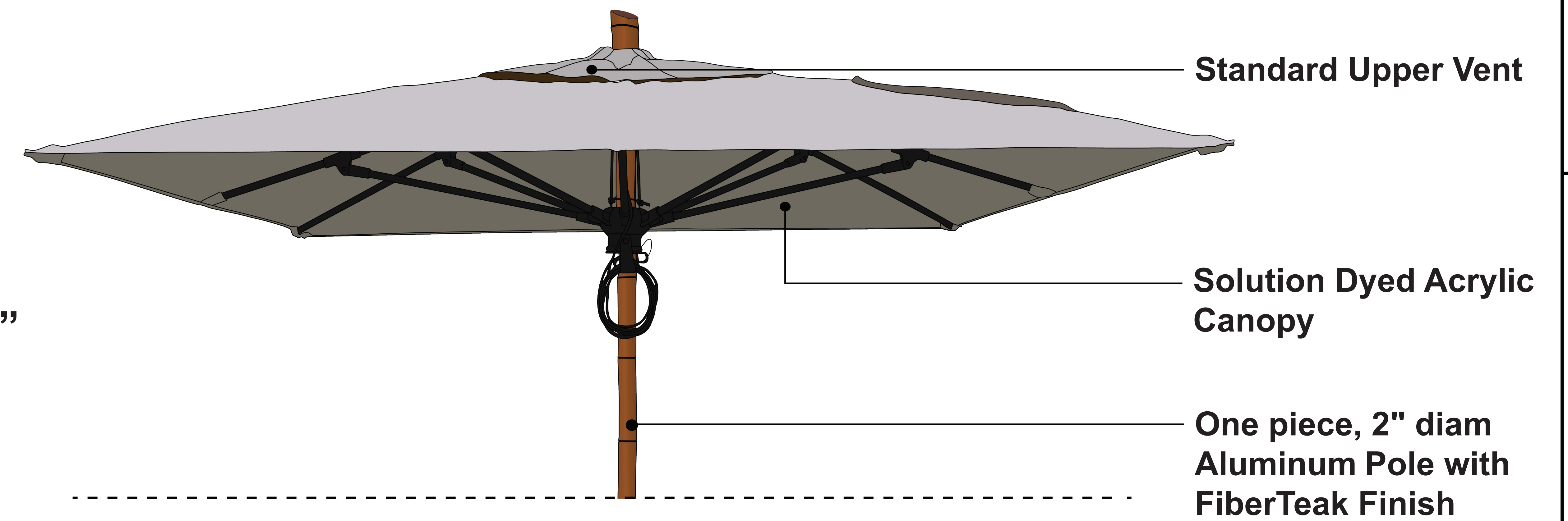
**PLAN VIEW**



**FRONT ELEVATION**



**COMPONENTS**



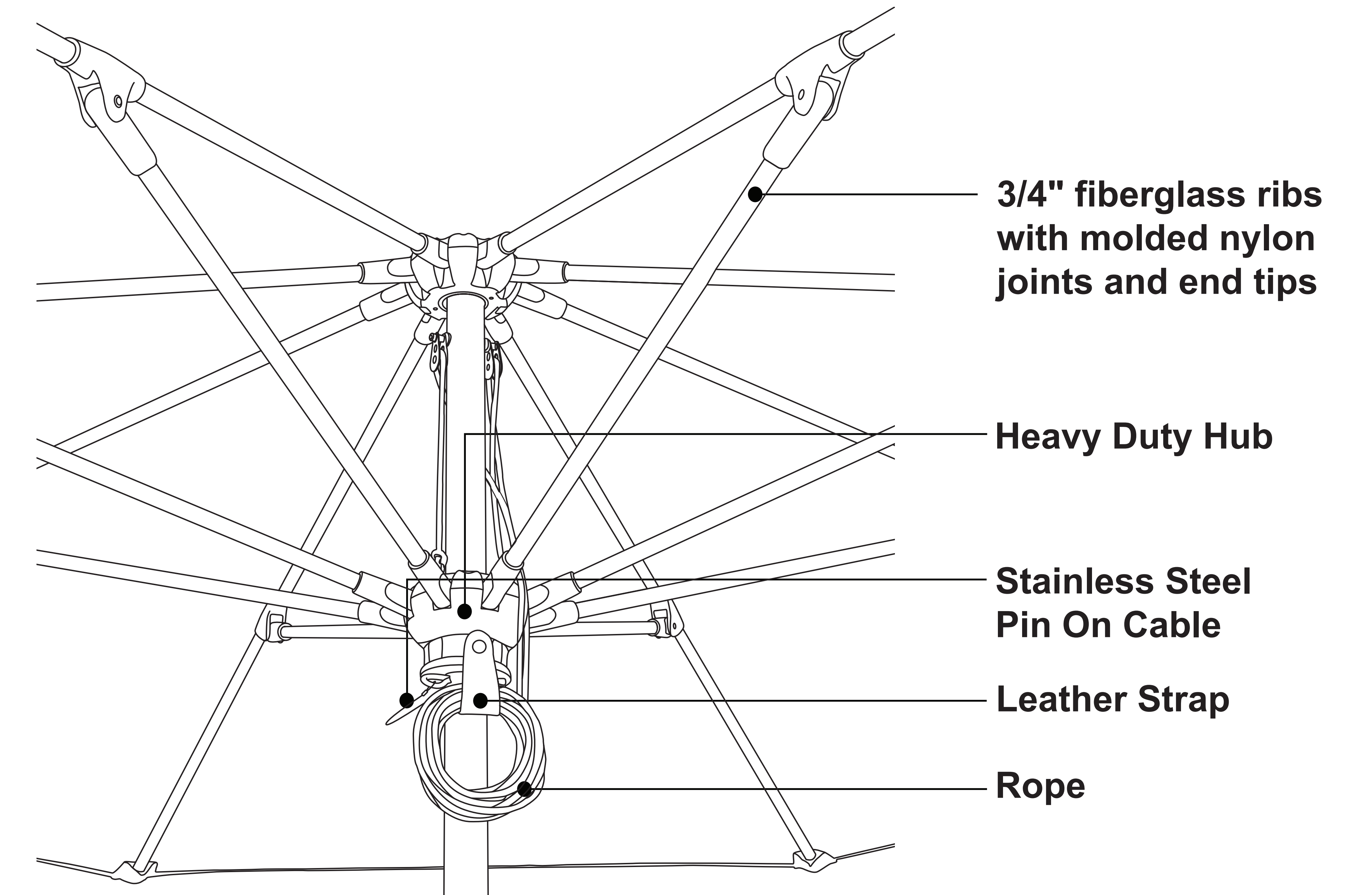
- 7 1/2' SQUARE
- FIBERGLASS RIBS 3/4" DIAM
- ALUMINUM POLE 2" DIAM

**A**



**DETAIL A**  
INTERNAL VIEW  
OF POLE CONSTRUCTION

**B**



**DETAIL B**  
RIB, HUB AND PULLEY  
ASSEMBLY

**GENERAL NOTES:**

1. All Dimensions Are In Inches.
2. 93% Manufactured In The USA.

**Available Sizes**

6' sq with Push Up & Pin Lift Height: 96" Weight: 32 lbs	7 1/2' sq with Pulley & Pin Lift Height: 102" Weight: 34 lbs
--	--

<b>PRESTIGE COLLECTION</b>
<b>MODEL: BAMBUSA SQUARE</b>
<b>DRAWING DATE: 2026</b>