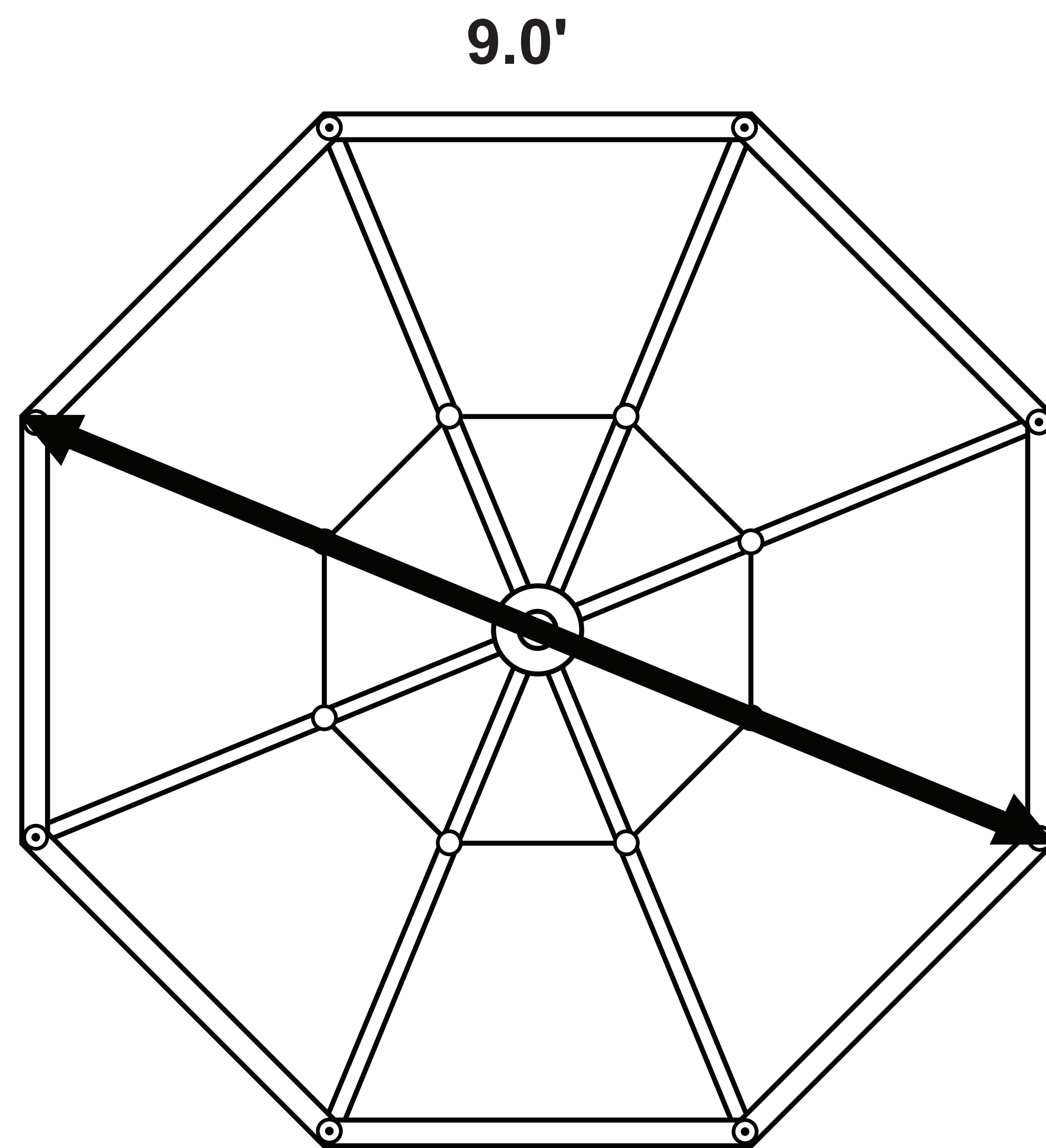


PLAN VIEW



- **9' OCTAGON**
- **FIBERGLASS RIBS 1/2" DIAM**
- **ALUMINUM POLE 1 1/2" DIAM**

FRONT ELEVATION



A

Aluminum core
.125" wall thickness

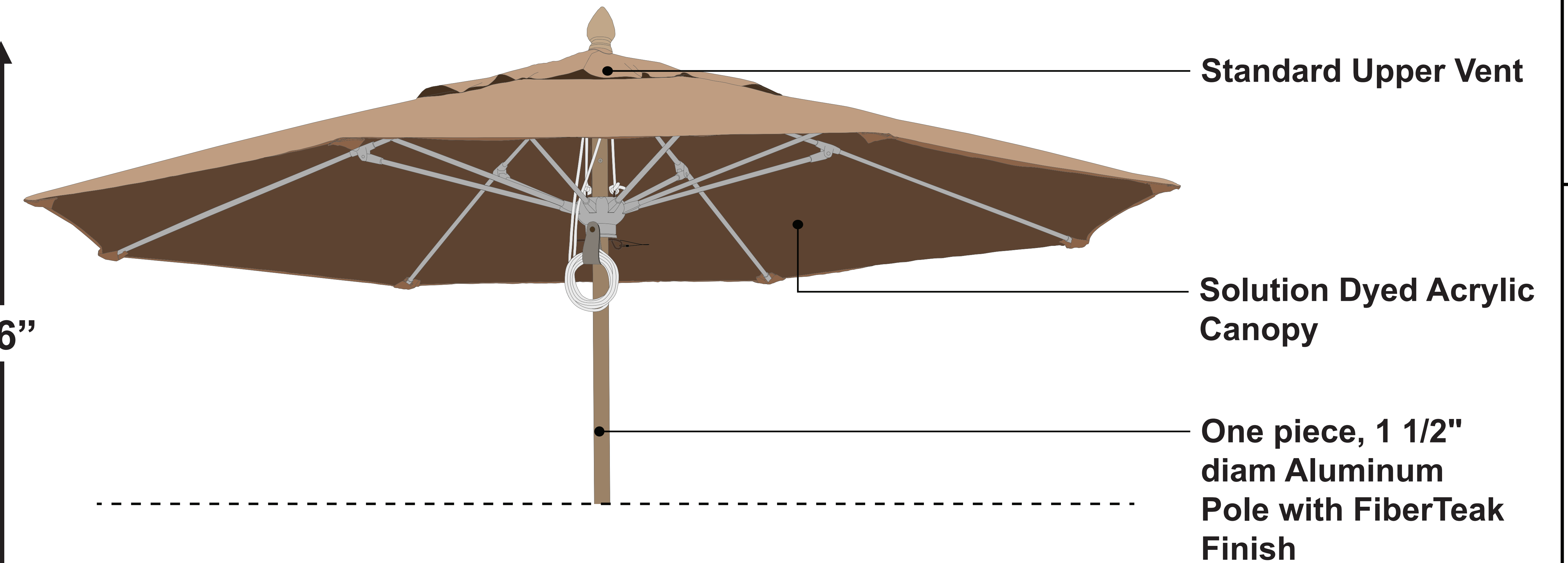


FiberTeak simulated
woodgrain textured finish

DETAIL A

INTERNAL VIEW
OF POLE CONSTRUCTION

COMPONENTS



Standard Upper Vent

Solution Dyed Acrylic
Canopy

One piece, 1 1/2"
diam Aluminum
Pole with FiberTeak
Finish

B

1/2" fiberglass ribs
with molded nylon
joints and end tips

Heavy Duty Hub

Stainless Steel
Pin On Cable

Leather Strap

Rope

DETAIL B

RIB, HUB AND PULLEY
ASSEMBLY

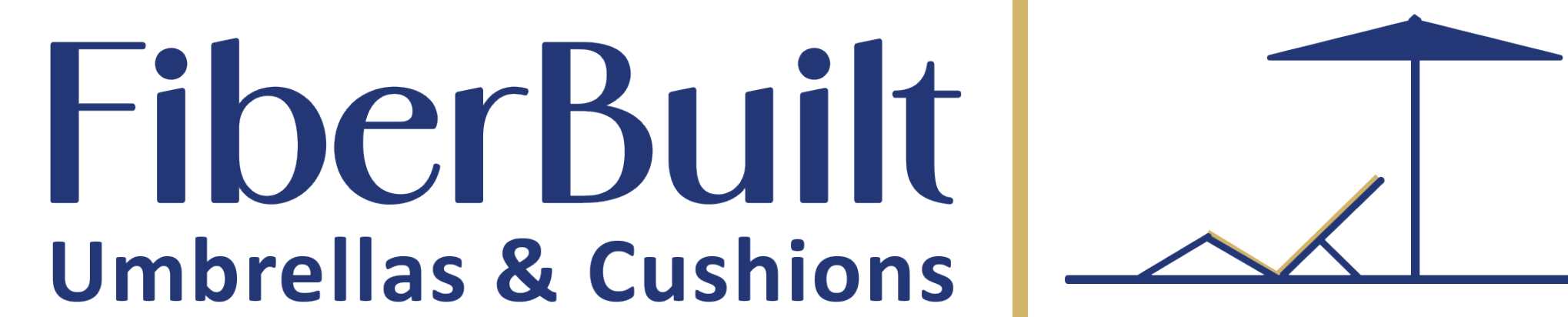
GENERAL NOTES:

1. All Dimensions Are In Inches.
2. 93% Manufactured In The **USA**.

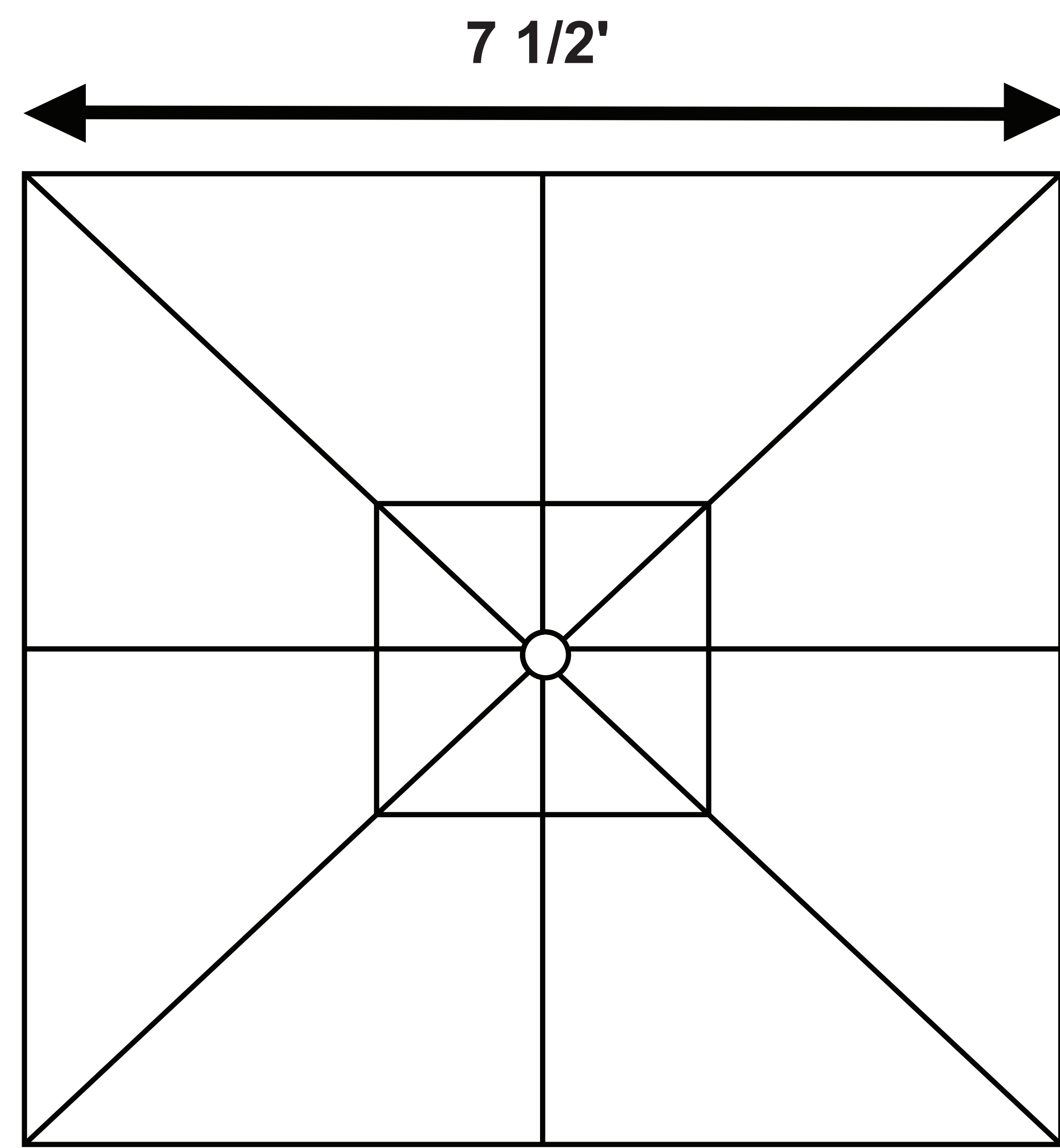
Available Sizes

8' oct with Push Up & Pin Lift Height: 96" Weight: 30 lbs	9' oct with Push Up & Pin or Pulley & Pin Lift Height: 96" Weight: 33 lbs	11' oct with Pulley & Pin Lift Height: 102" Weight: 38 lbs
---	---	--

PRESTIGE COLLECTION
MODEL: BRIDGEWATER OCTAGON
DRAWING DATE: 2026



PLAN VIEW

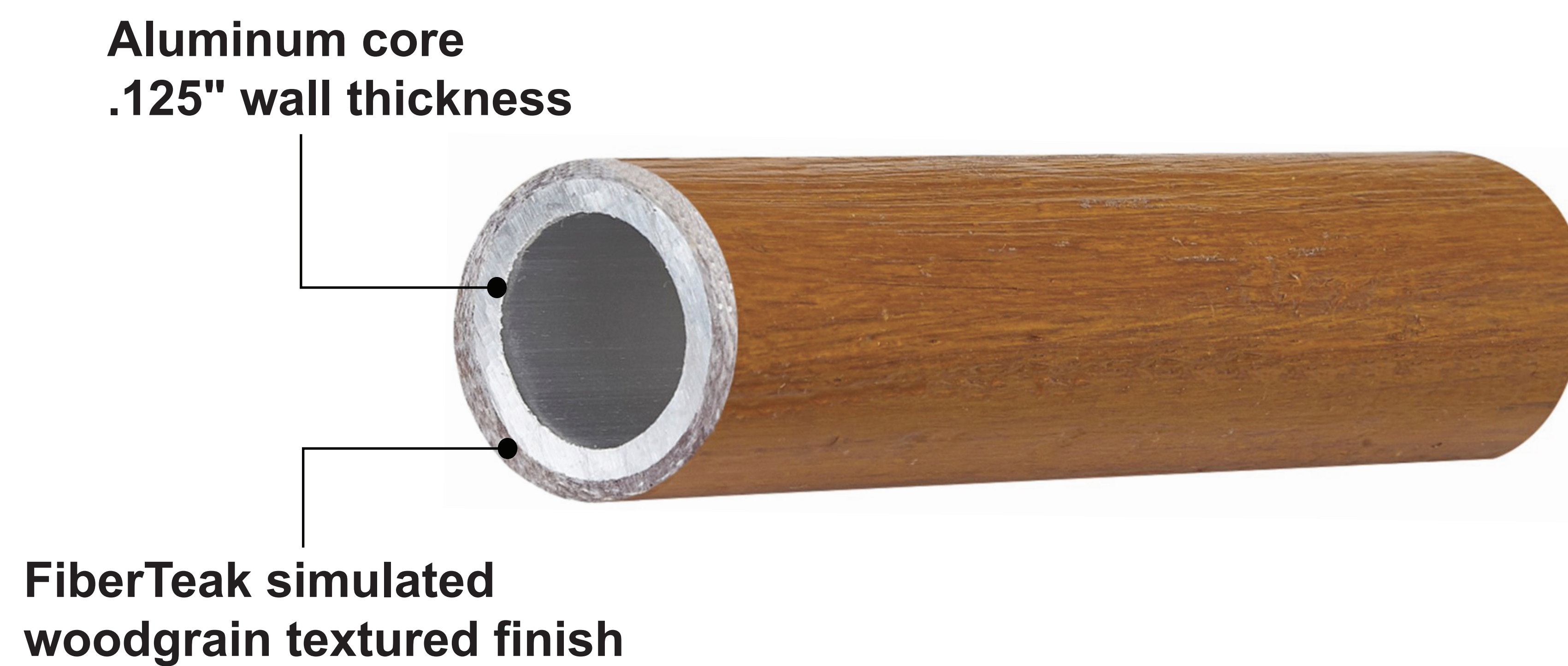


- 7 1/2' SQUARE
- FIBERGLASS RIBS 1/2" DIAM
- ALUMINUM POLE 1 1/2" DIAM

FRONT ELEVATION

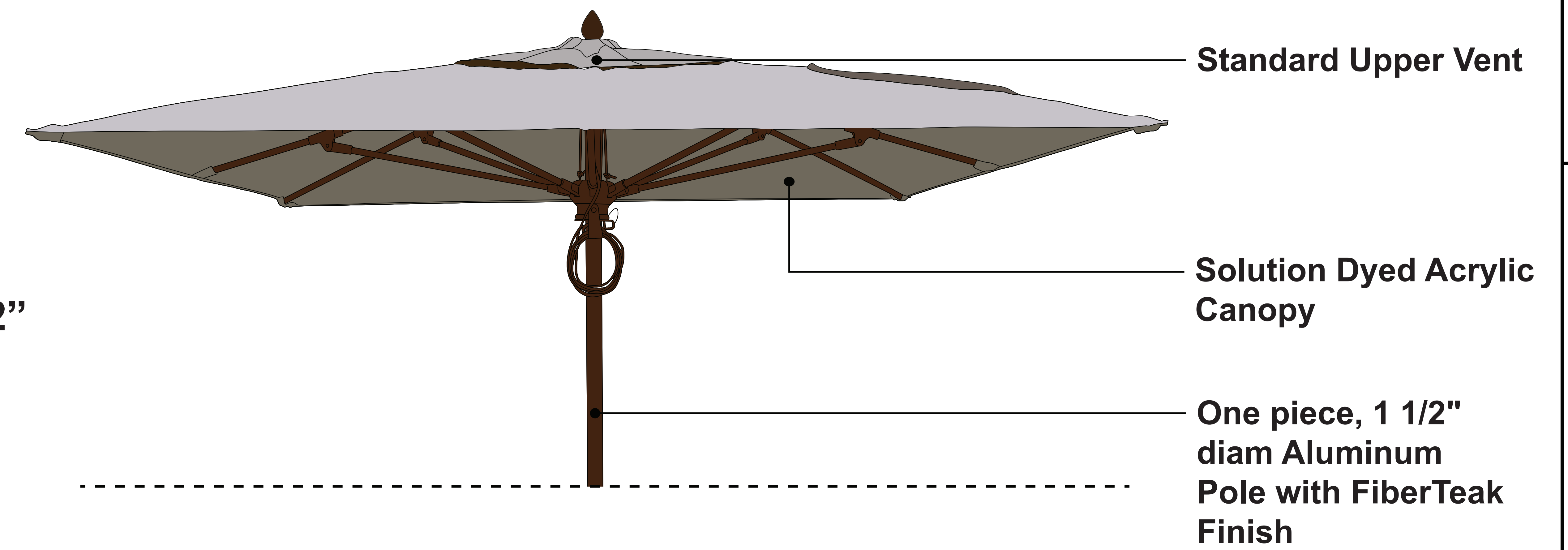


A

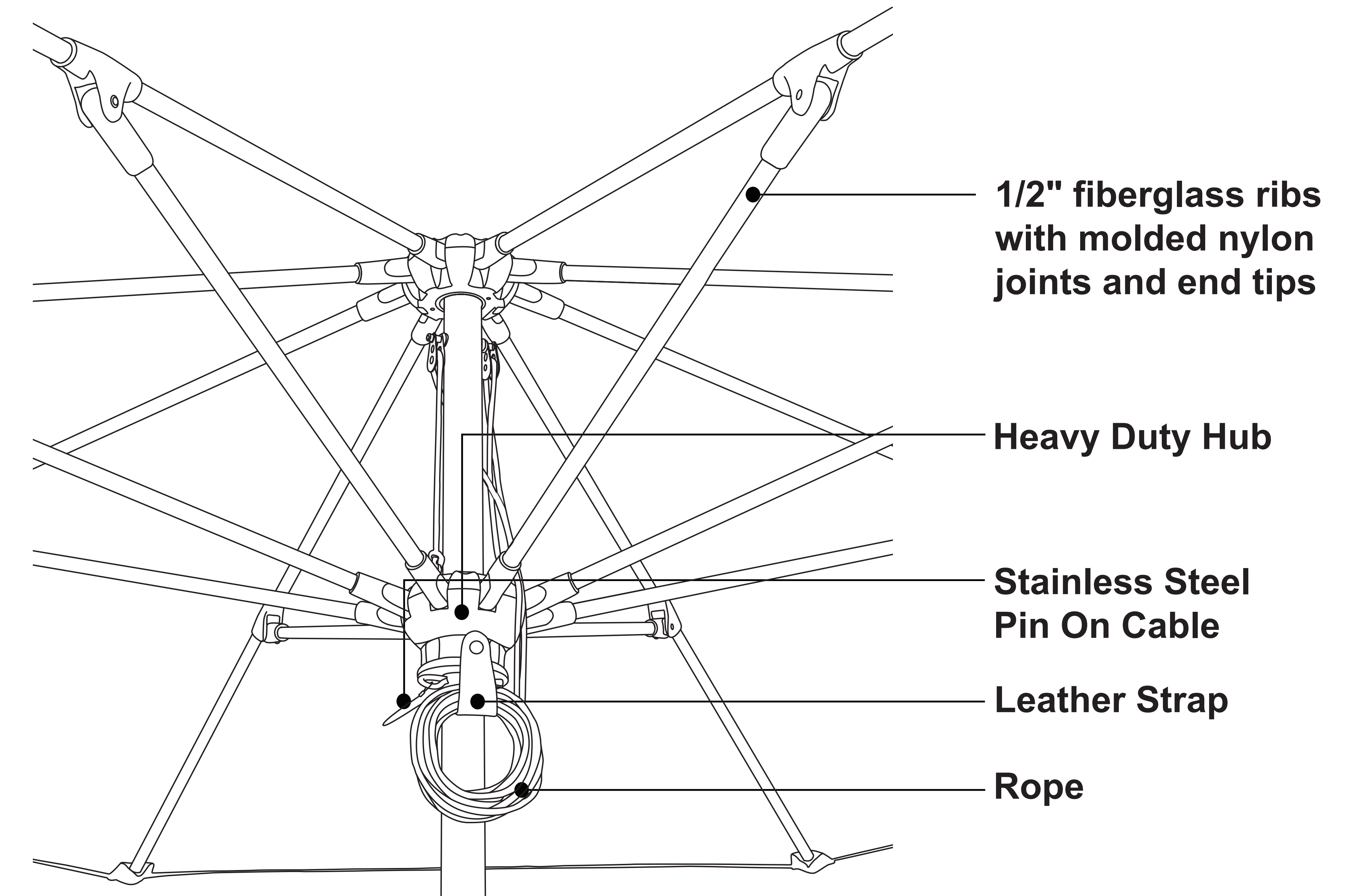


DETAIL A
INTERNAL VIEW
OF POLE CONSTRUCTION

COMPONENTS



B



DETAIL B
RIB, HUB AND PULLEY
ASSEMBLY

GENERAL NOTES:

1. All Dimensions Are In Inches.
2. 93% Manufactured In The USA.

Available Sizes

6' sq with Push Up & Pin Lift
Height: 96"
Weight: 29 lbs

7 1/2' sq with Pulley & Pin Lift
Height: 102"
Weight: 34 lbs



PRESTIGE COLLECTION
MODEL: BRIDGEWATER SQUARE
DRAWING DATE: 2026