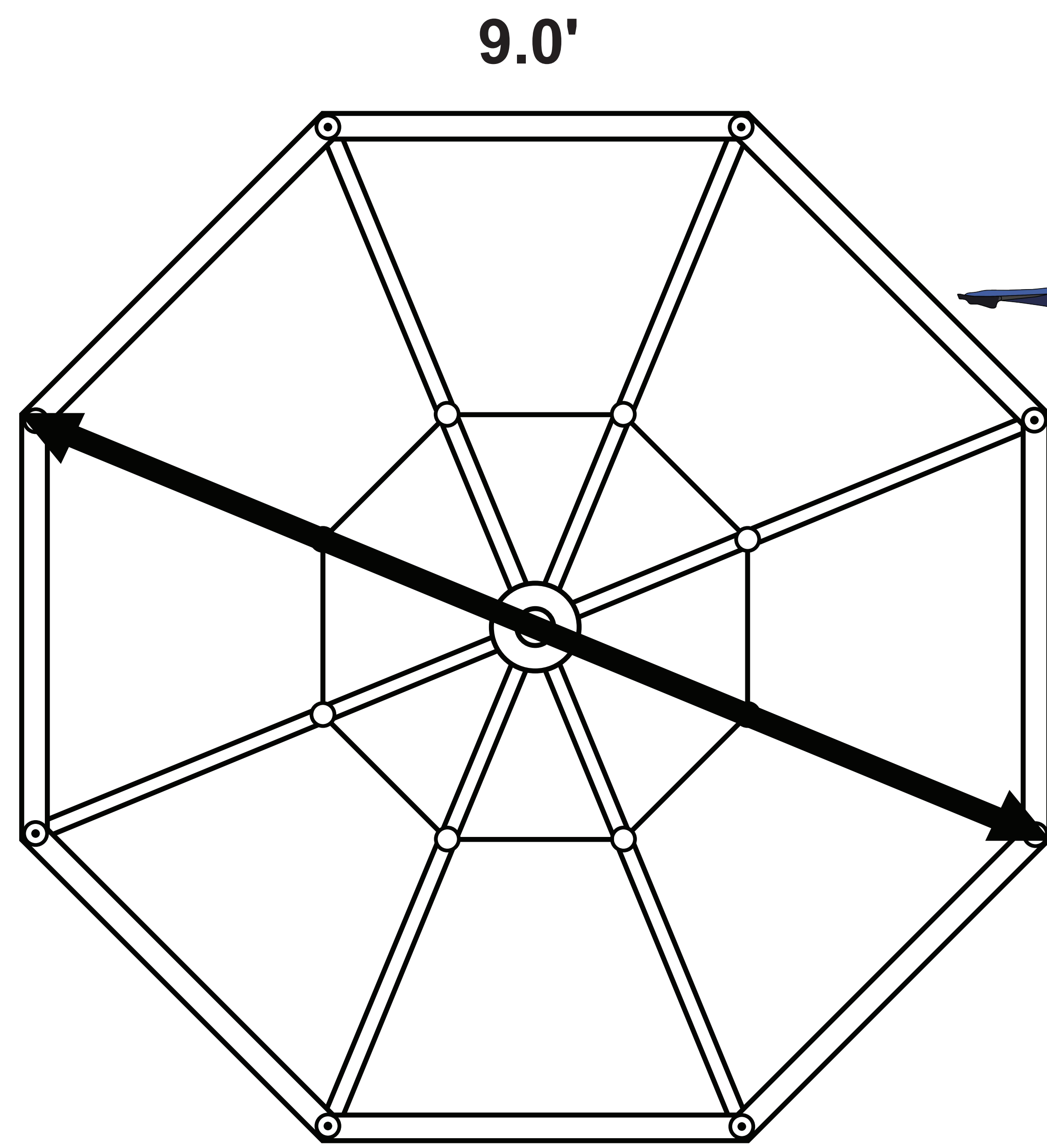


PLAN VIEW



- **9' OCTAGON**
- **FIBERGLASS RIBS 1/2" DIAM**
- **ALUMINUM POLE 1 1/2" DIAM**

FRONT ELEVATION



COMPONENTS



A

Aluminum core
.125" wall thickness

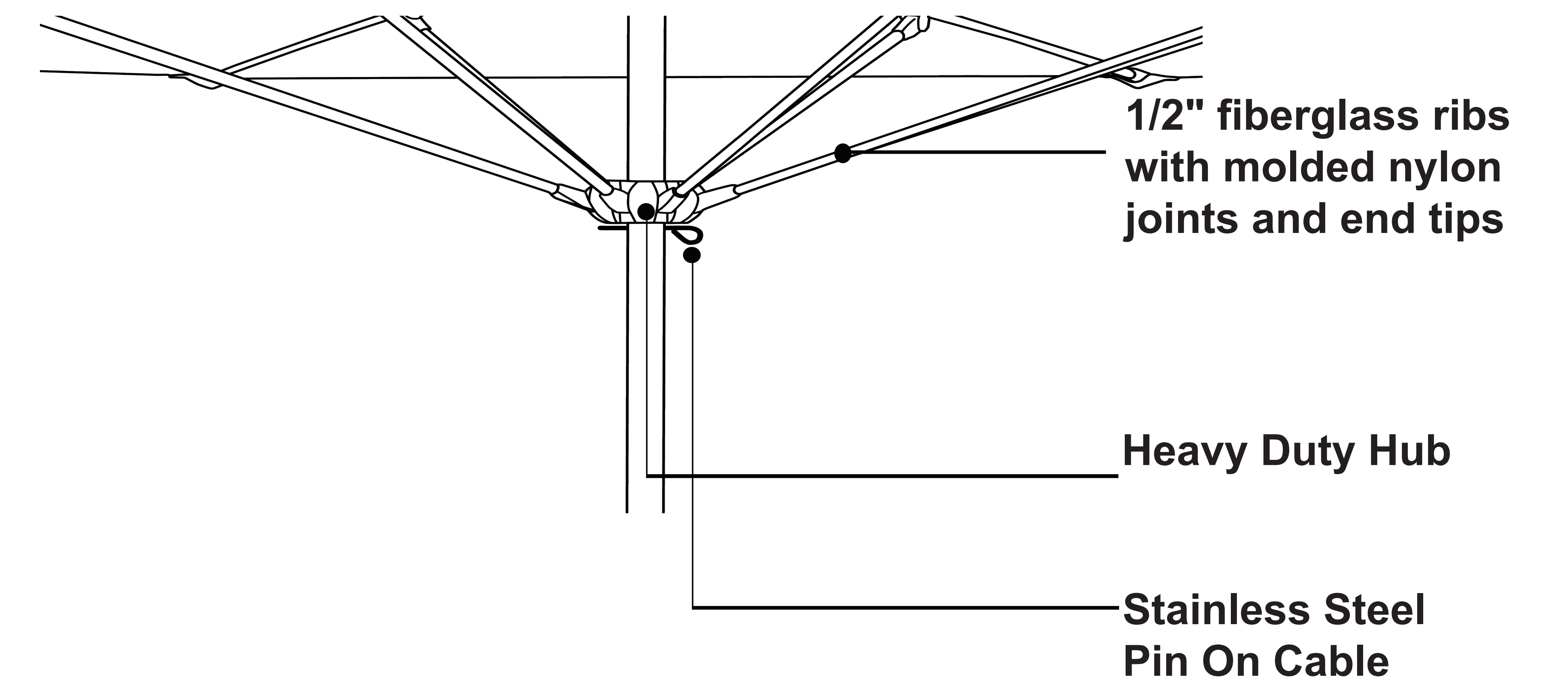


Powder Coat or Anodized finish

DETAIL A

INTERNAL VIEW
OF POLE CONSTRUCTION

B



DETAIL B

RIB, HUB AND PULLEY
ASSEMBLY

GENERAL NOTES:

1. All Dimensions Are In Inches.
2. 93% Manufactured In The **USA**.

Available Sizes

9' oct with Push Up & Pin Lift Height: 96" Weight: 28 lbs	11' oct with Push Up & Pin Lift Height: 102" Weight: 30 lbs	6' sq with Push Up & Pin Lift Height: 96" Weight: 24 lbs
---	---	--

PRESTIGE COLLECTION
MODEL: CONTEMPO
DRAWING DATE: 2026

