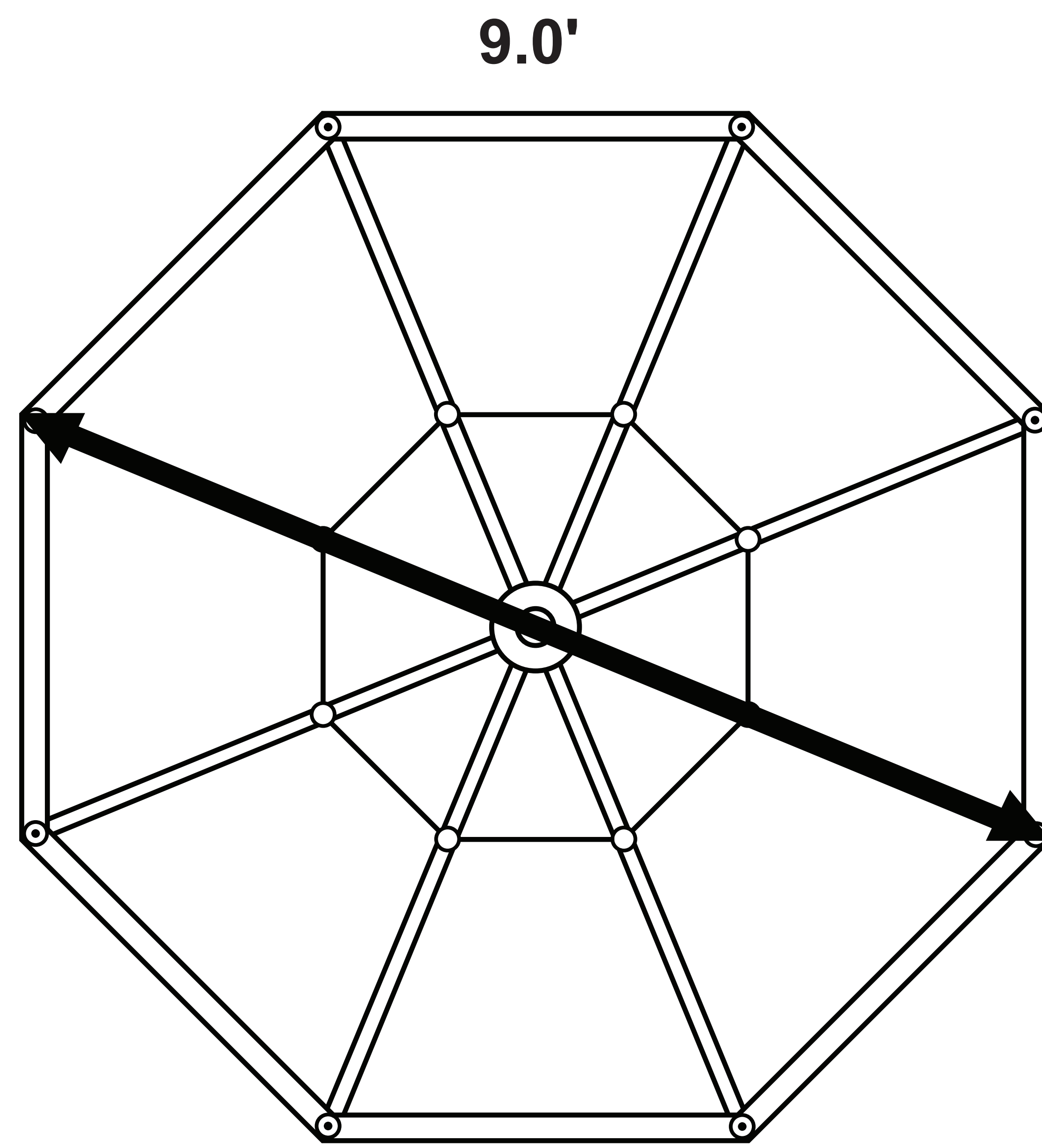


PLAN VIEW

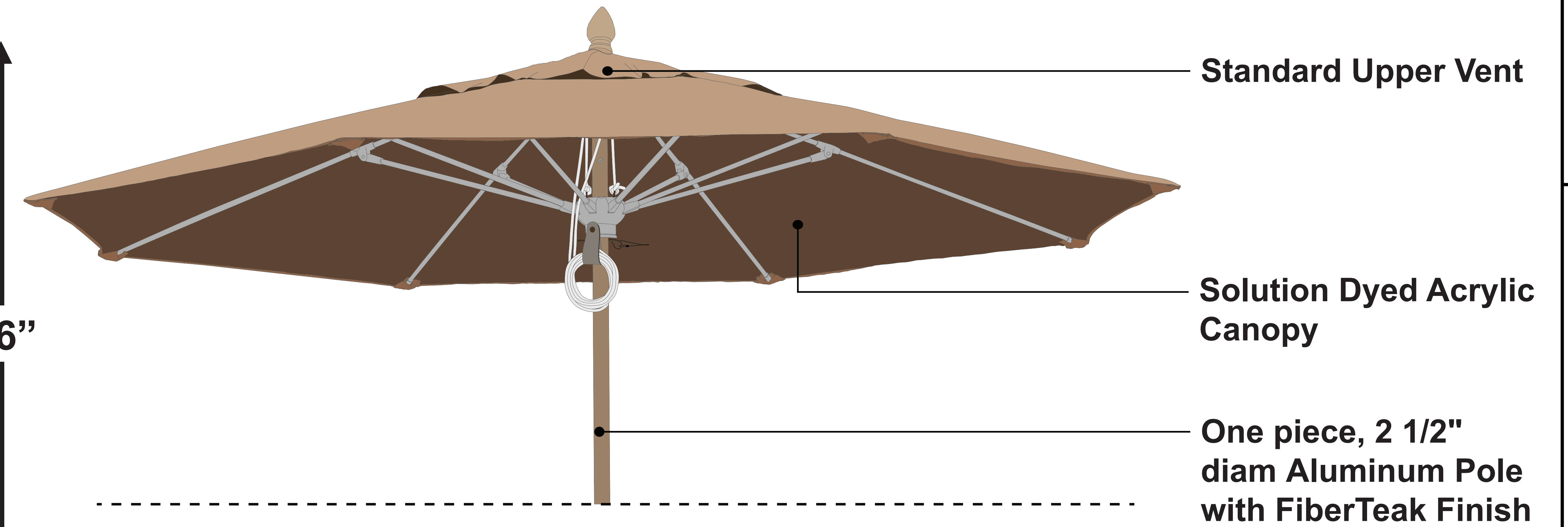


- **9' OCTAGON**
- **FIBERGLASS RIBS 3/4" DIAM**
- **ALUMINUM POLE 2 1/2" DIAM**

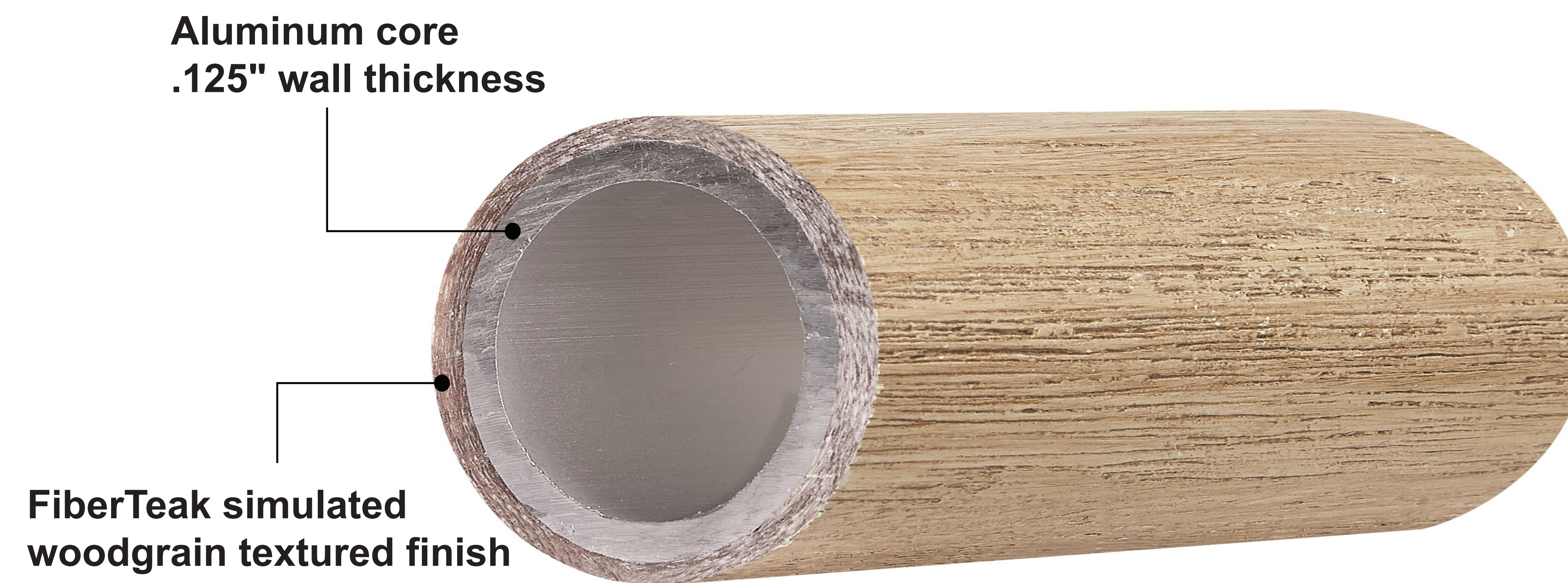
FRONT ELEVATION



COMPONENTS

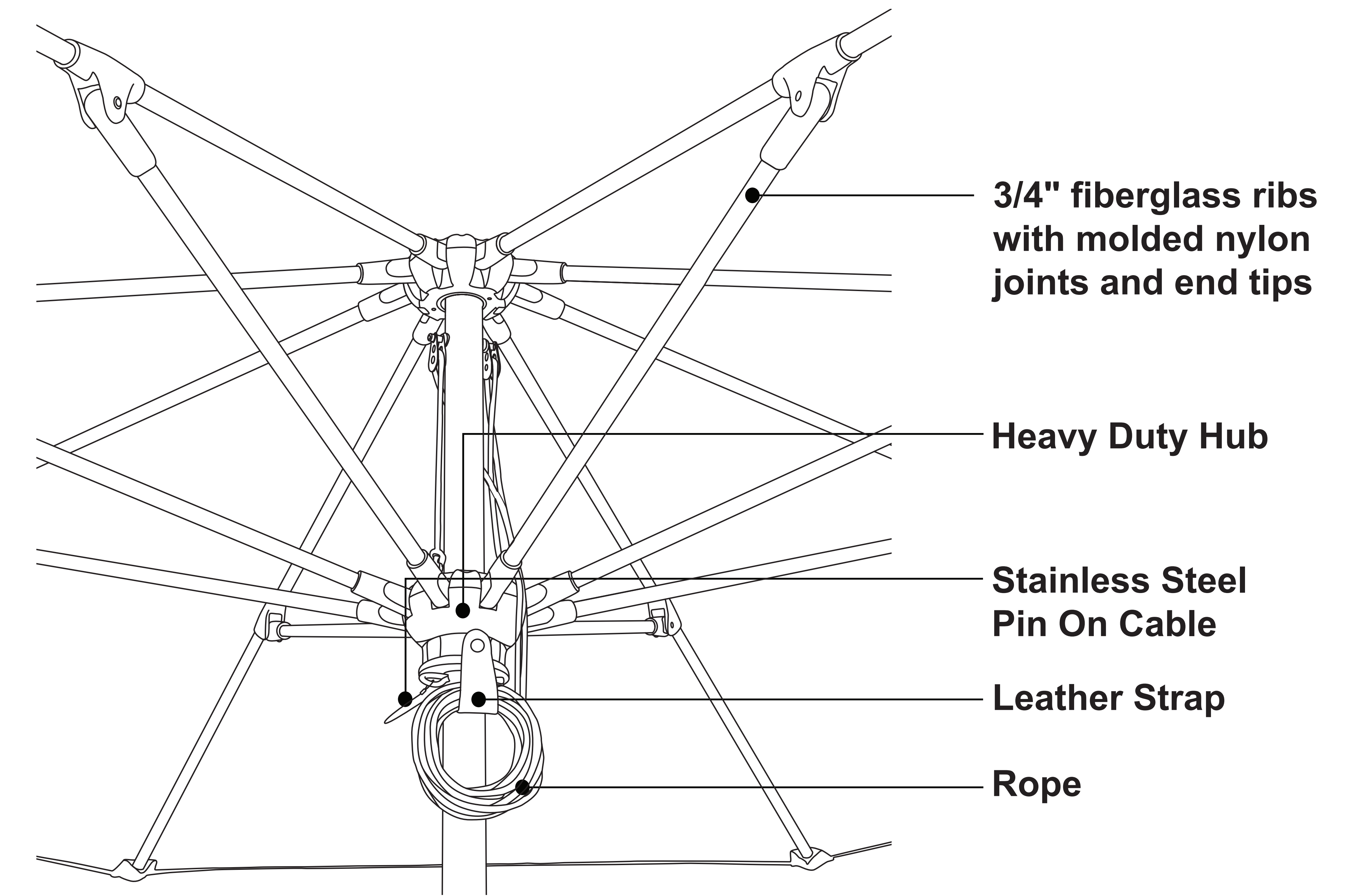


A



DETAIL A
INTERNAL VIEW
OF POLE CONSTRUCTION

B



DETAIL B
RIB, HUB AND PULLEY
ASSEMBLY

GENERAL NOTES:

1. All Dimensions Are In Inches.
2. 93% Manufactured In The **USA**.

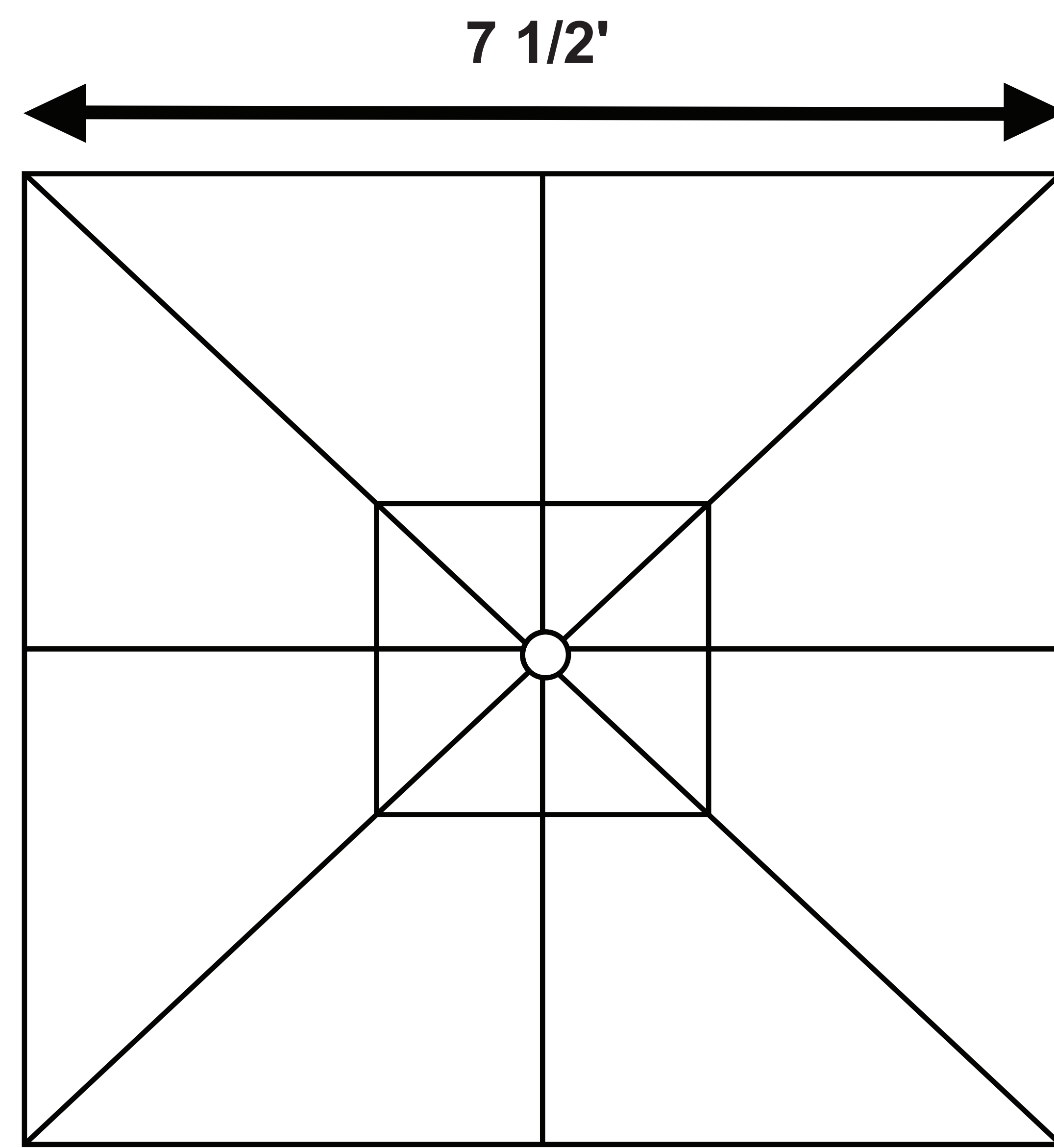
Available Sizes

9' oct with Push Up & Pin or Pulley & Pin Lift Height: 96" Weight: 36 lbs	11' oct with Pulley & Pin Lift Height: 102" Weight: 40 lbs	13' oct with Pulley & Pin Lift Height: 108" Weight: 58 lbs
---	--	--

PRESTIGE COLLECTION
MODEL: DIAMANTE OCTAGON
DRAWING DATE: 2026



PLAN VIEW



- 7 1/2' SQUARE
- FIBERGLASS RIBS 3/4" DIAM
- ALUMINUM POLE 2 1/2" DIAM

FRONT ELEVATION



A

Aluminum core
.125" wall thickness

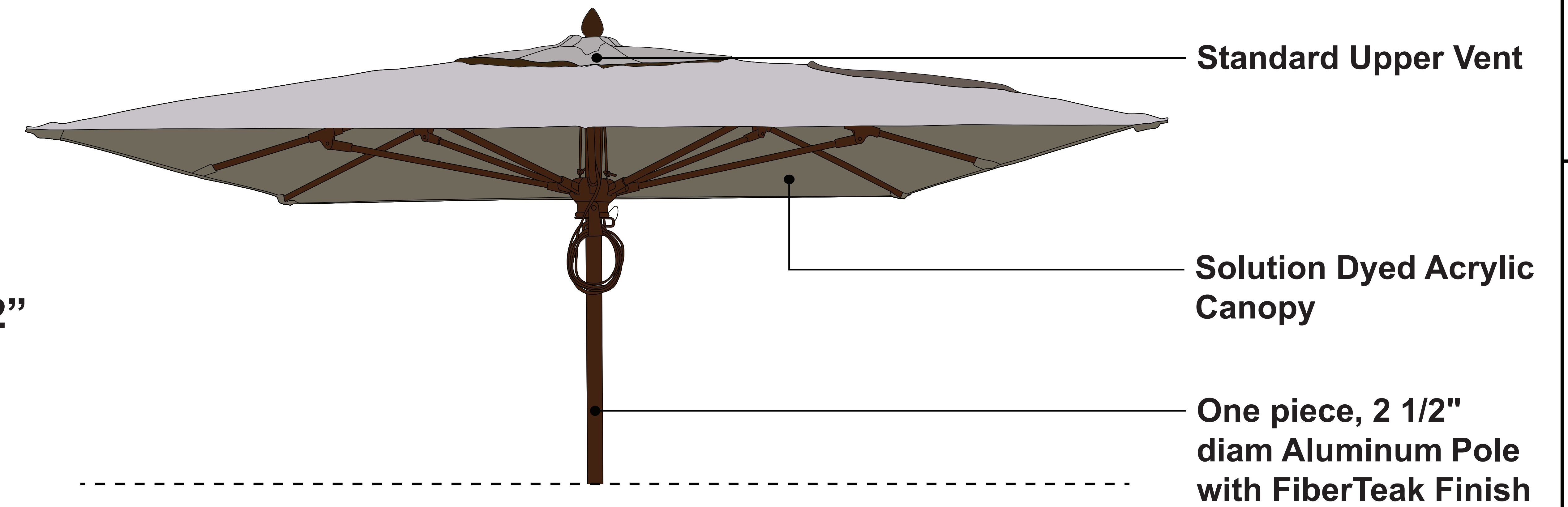
FiberTeak simulated
woodgrain textured finish



DETAIL A

INTERNAL VIEW
OF POLE CONSTRUCTION

COMPONENTS



B

Standard Upper Vent

Solution Dyed Acrylic
Canopy

One piece, 2 1/2"
diam Aluminum Pole
with FiberTeak Finish

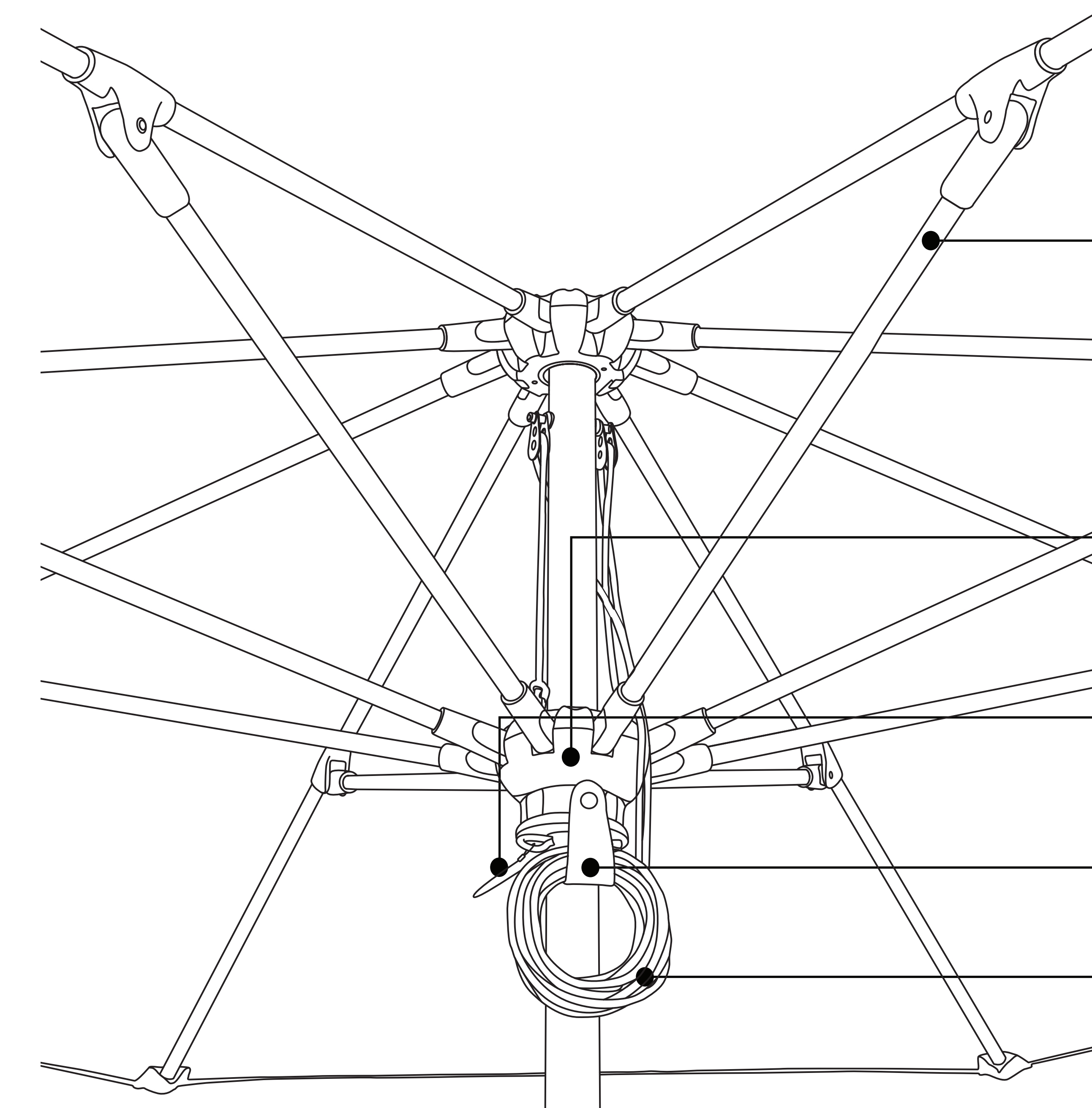
3/4" fiberglass ribs
with molded nylon
joints and end tips

Heavy Duty Hub

Stainless Steel
Pin On Cable

Leather Strap

Rope



DETAIL B

RIB, HUB AND PULLEY
ASSEMBLY

GENERAL NOTES:

1. All Dimensions Are In Inches.
2. 93% Manufactured In The **USA**.

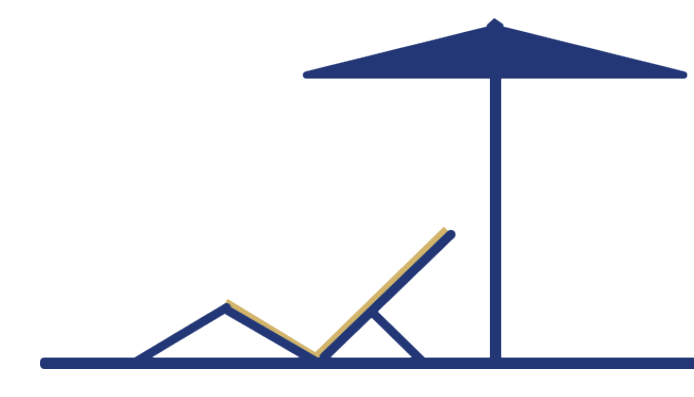
Available Sizes

6' sq with Push Up & Pin Lift
Height: 96"
Weight: 37 lbs

7 1/2' sq with Pulley & Pin Lift
Height: 102"
Weight: 39 lbs

10' sq with Pulley & Pin Lift
Height: 108"
Weight: 65 lbs

FiberBuilt
Umbrellas & Cushions



PRESTIGE COLLECTION

MODEL: DIAMANTE SQUARE

DRAWING DATE: 2026