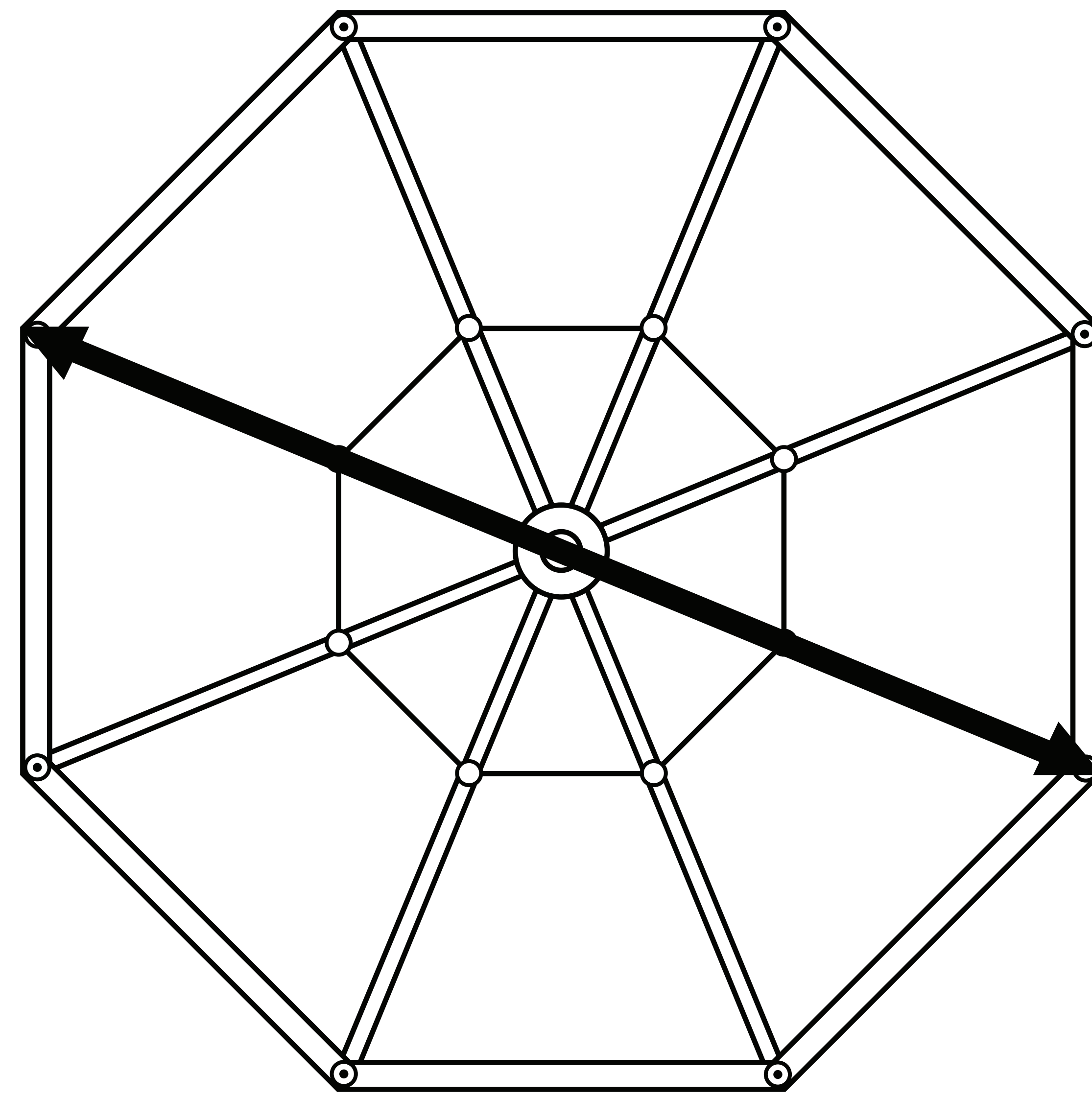


PLAN VIEW

9.0'

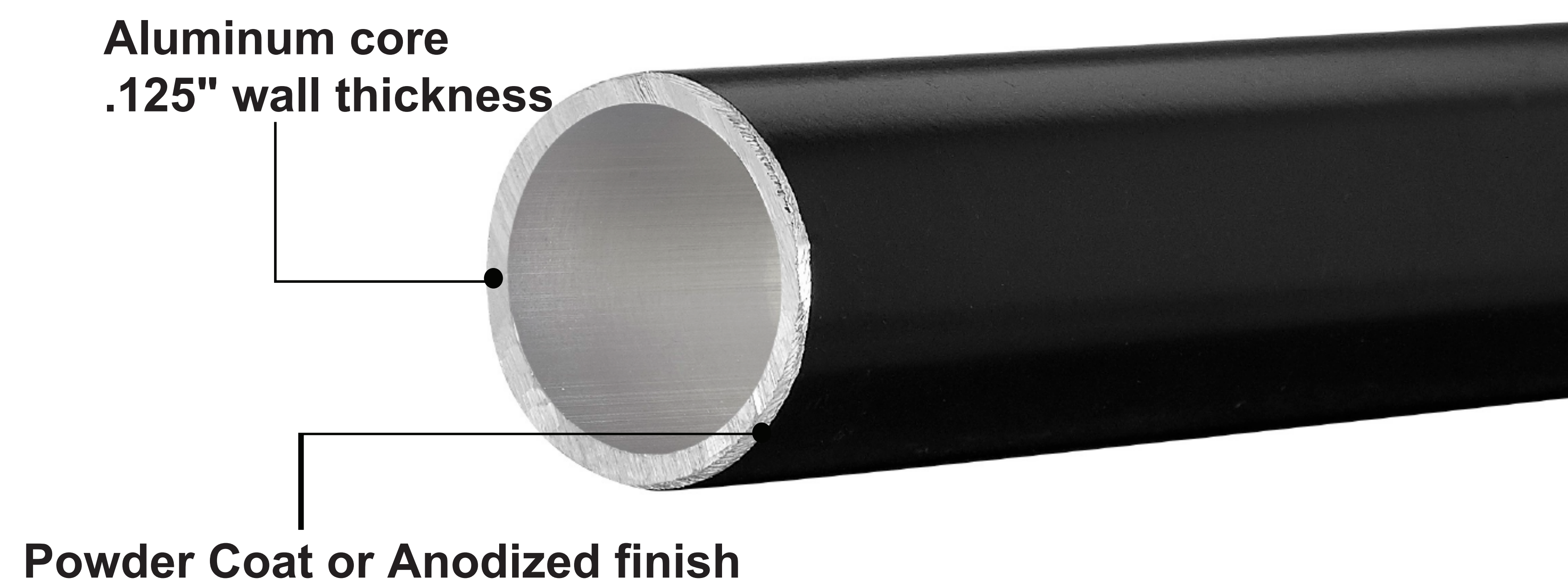


- 9' OCTAGON
- FIBERGLASS RIBS 5/8" DIAM
- ALUMINUM POLE 1 1/2" AND 2" DIAM

FRONT ELEVATION

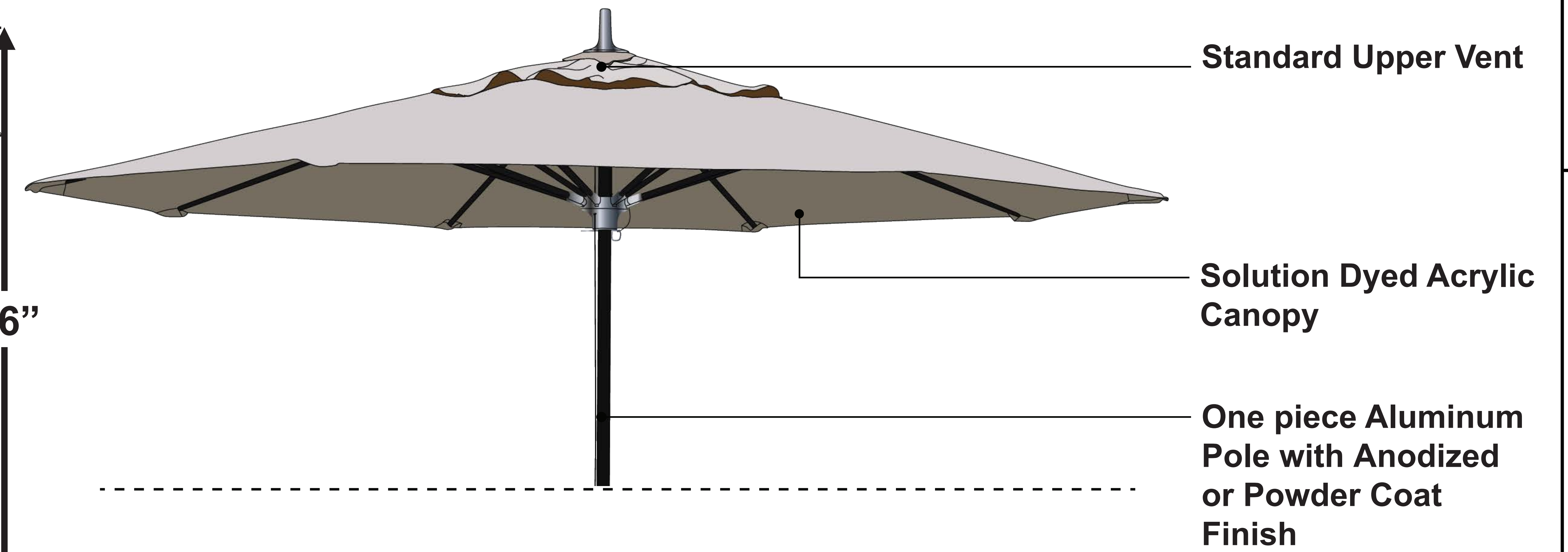


A

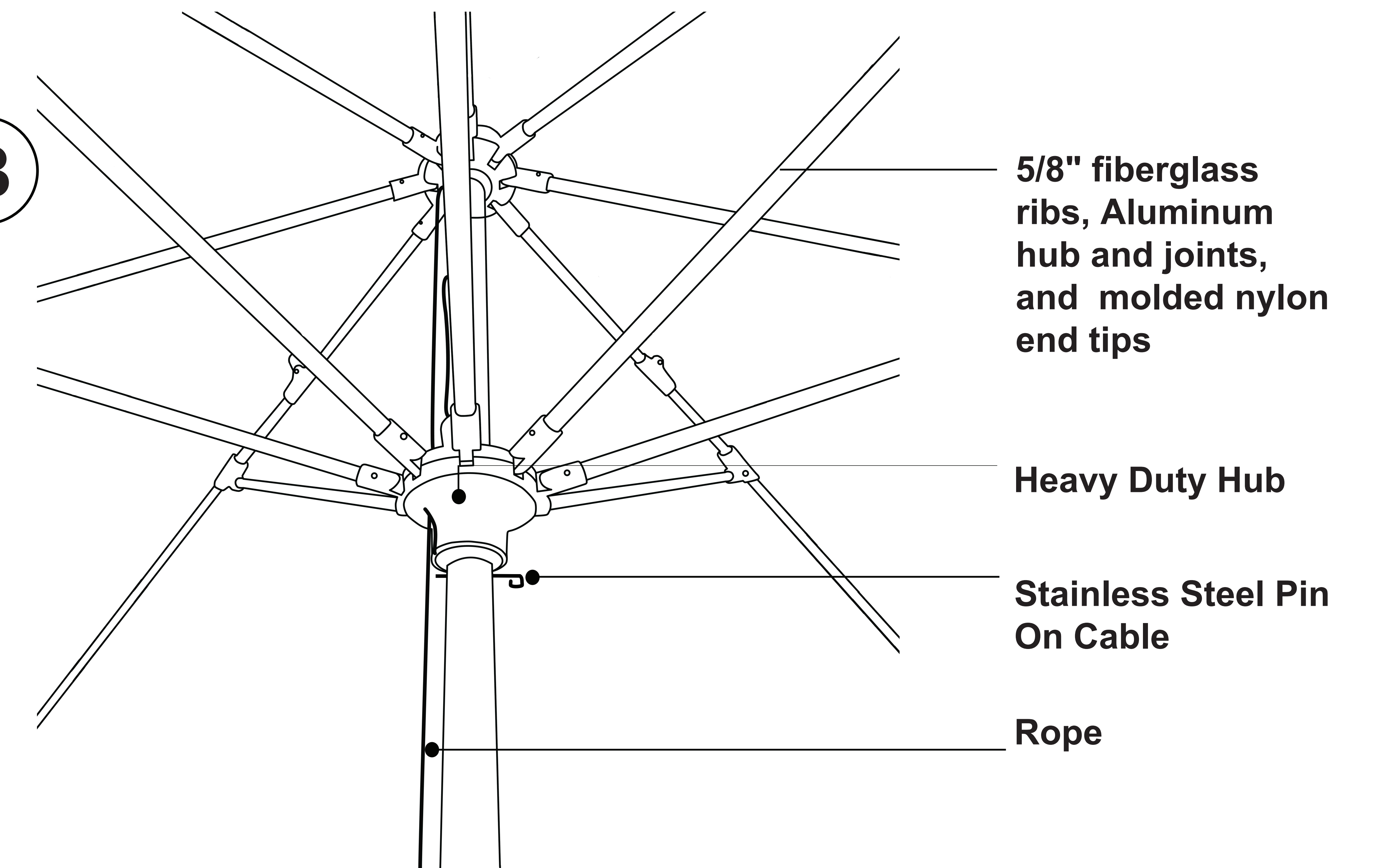


DETAIL A
INTERNAL VIEW
OF POLE CONSTRUCTION

COMPONENTS



B



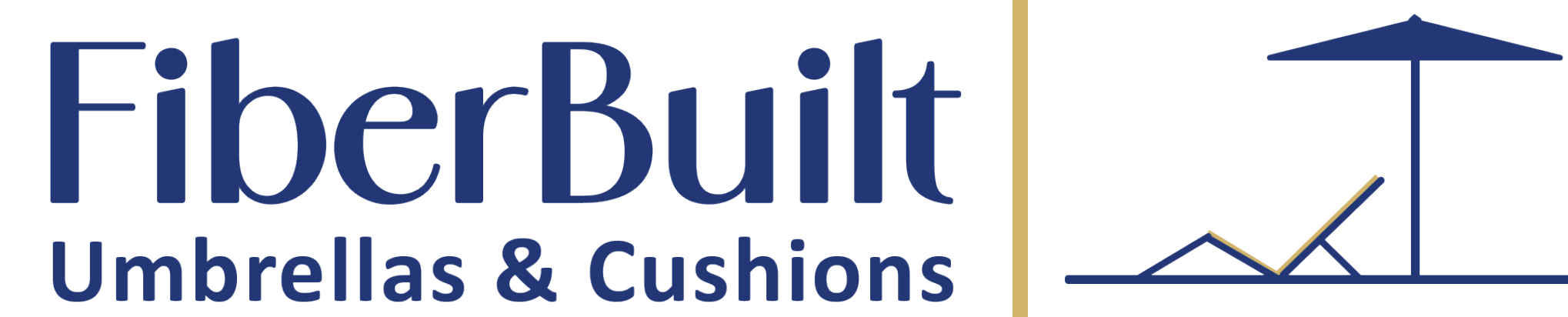
DETAIL B
RIB, HUB AND PULLEY
ASSEMBLY

GENERAL NOTES:

1. All Dimensions Are In Inches.
2. 93% Manufactured In The **USA**.

Available Sizes

9' oct with Locking Pulley Lift
Height: 96"
Weight: 28 lbs

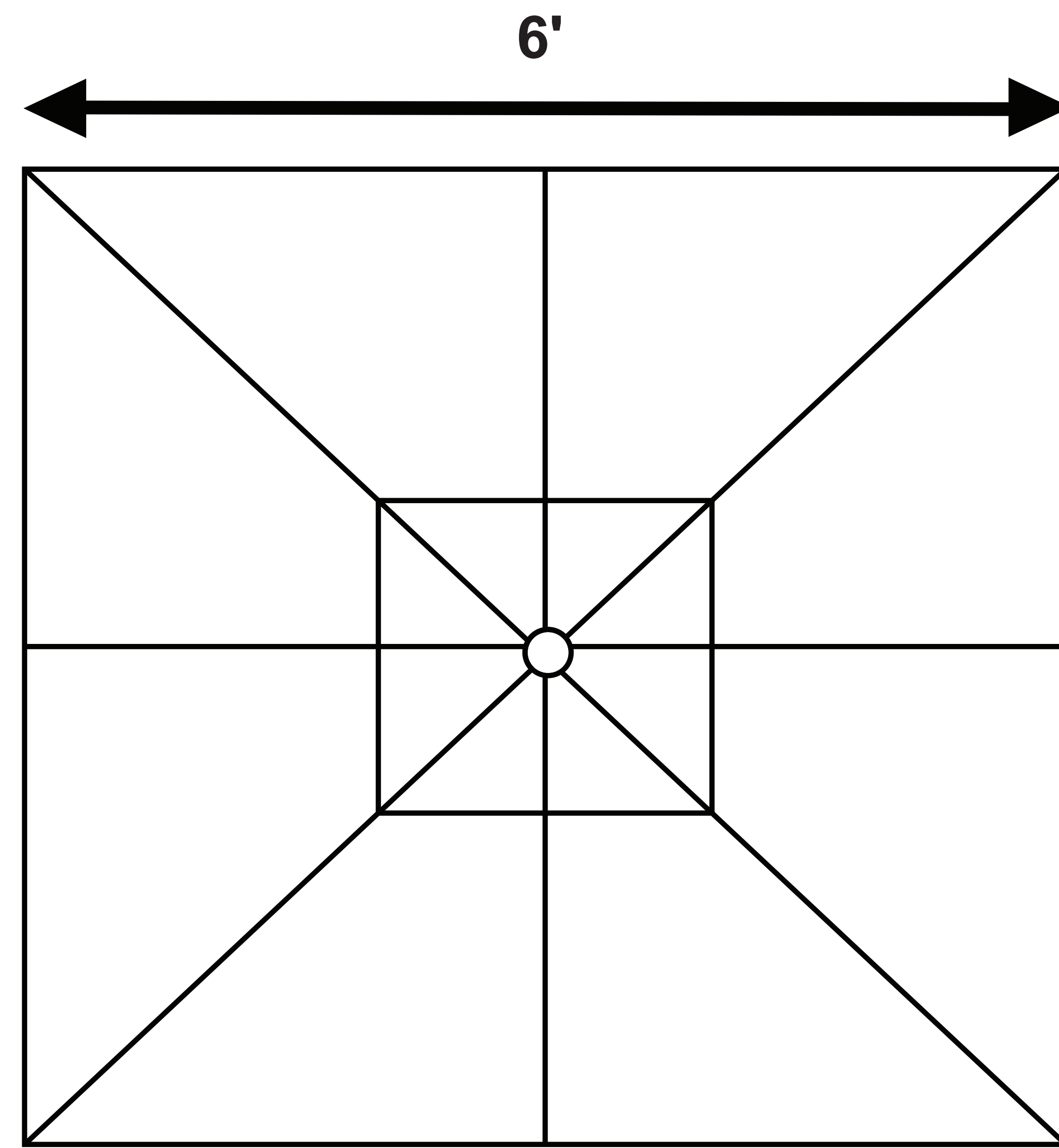


PRESTIGE COLLECTION

MODEL: ESSEX OCTAGON

DRAWING DATE: 2026

PLAN VIEW



- **6' SQUARE**
- **FIBERGLASS RIBS 5/8" DIAM**
- **ALUMINUM POLE 1 1/2" AND 2" DIAM**

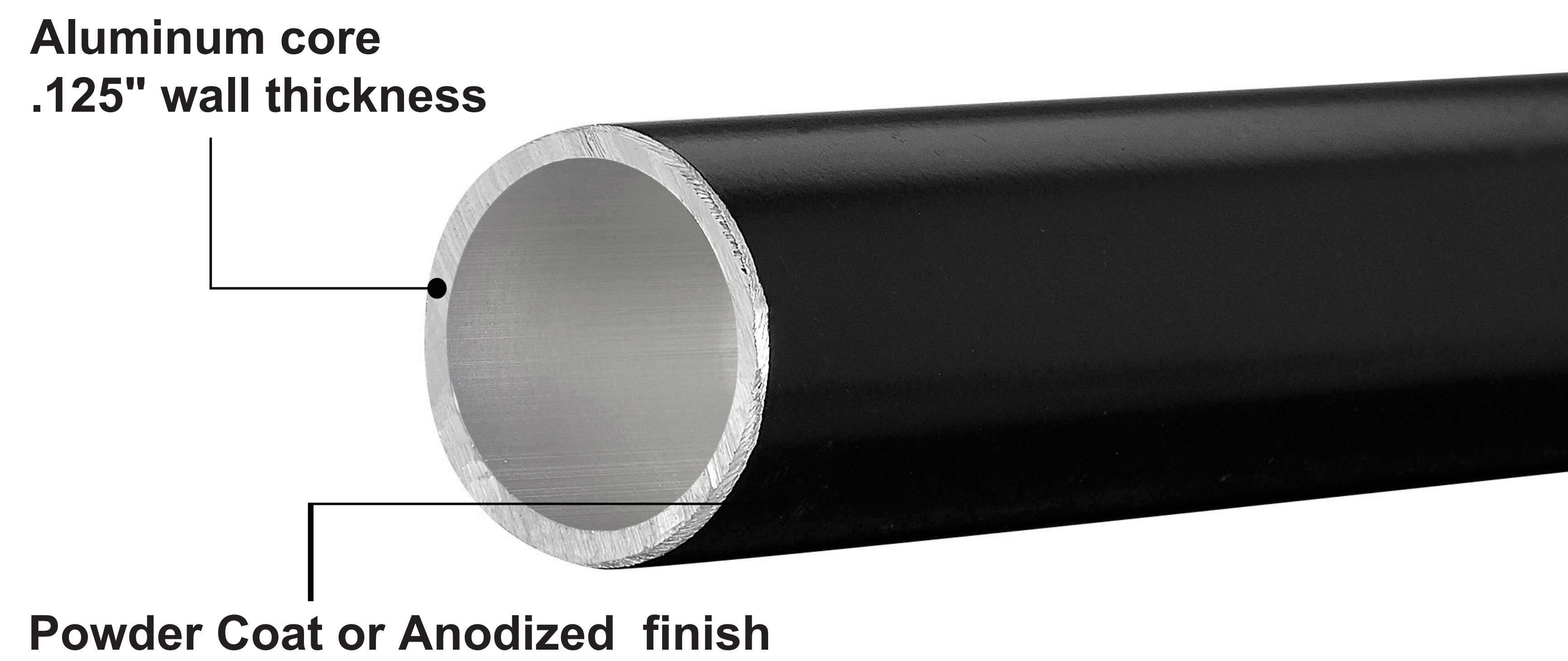
FRONT ELEVATION



COMPONENTS

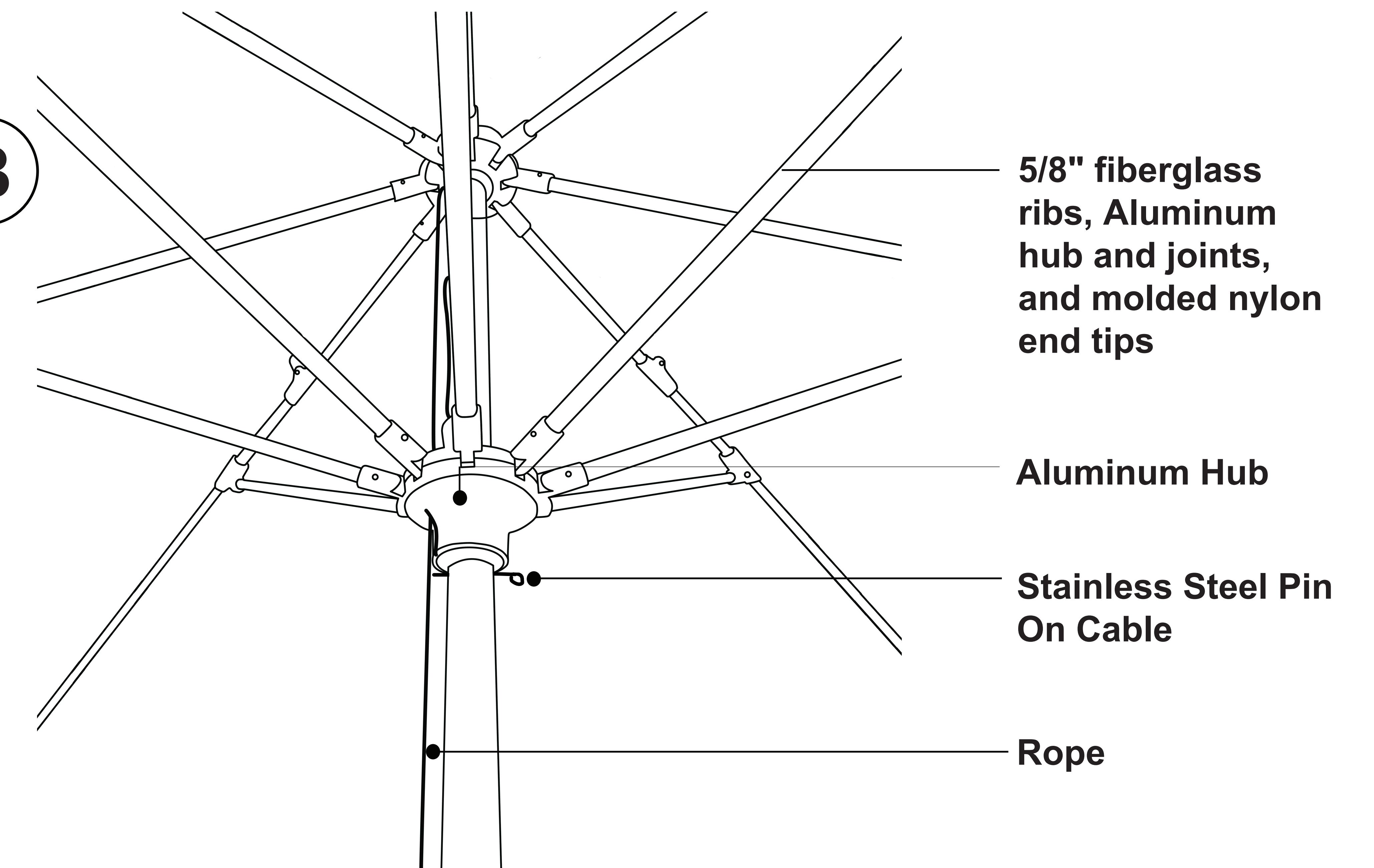


A



DETAIL A
INTERNAL VIEW
OF POLE CONSTRUCTION

B



DETAIL B
RIB, HUB AND PULLEY
ASSEMBLY

GENERAL NOTES:

1. All Dimensions Are In Inches.
2. 93% Manufactured In The **USA**.

Available Sizes

6' sq with Locking Pulley Lift
Height: 96"
Weight: 24 lbs

PRESTIGE COLLECTION
MODEL: ESSEX SQUARE
DRAWING DATE: 2026

