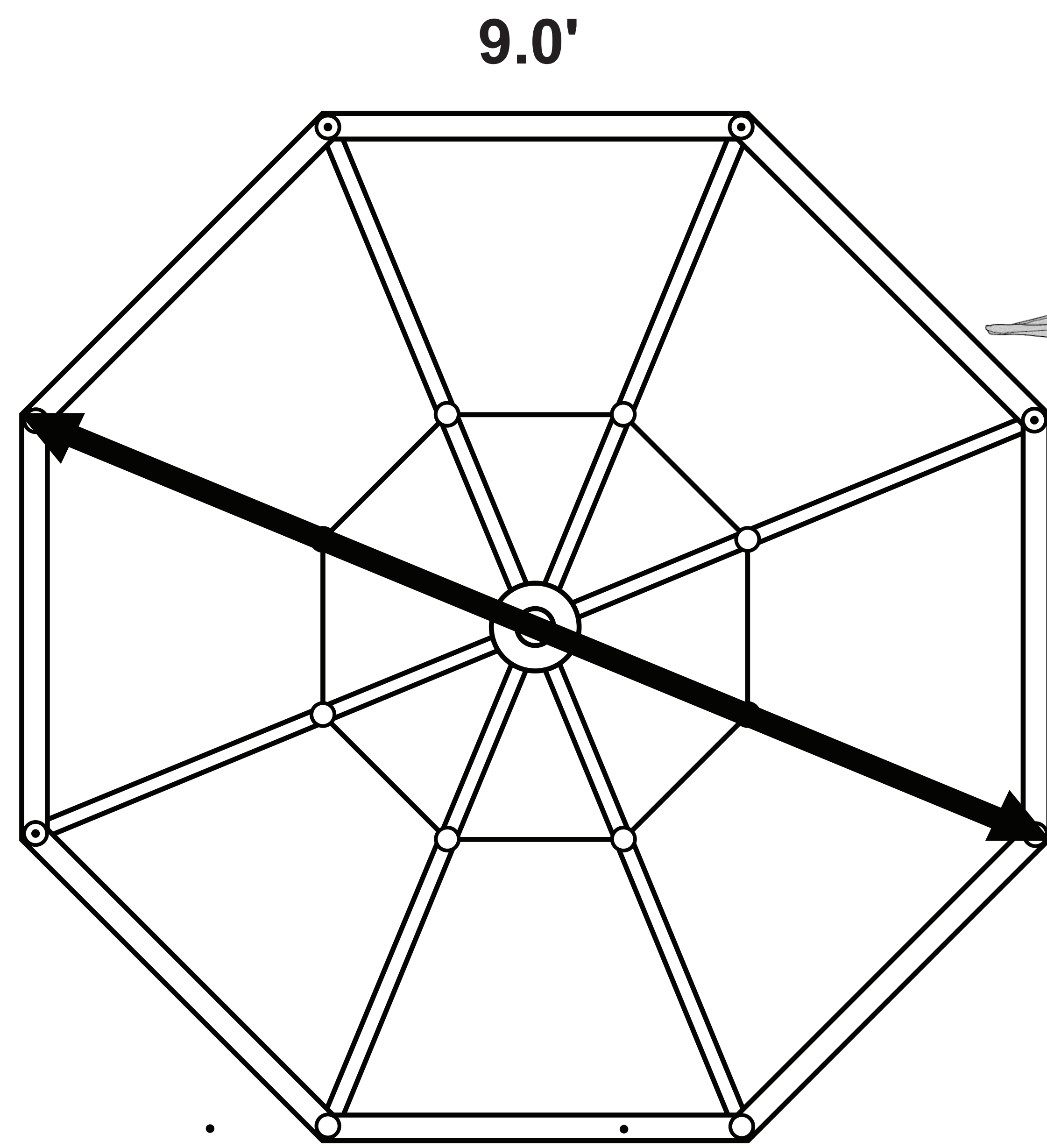


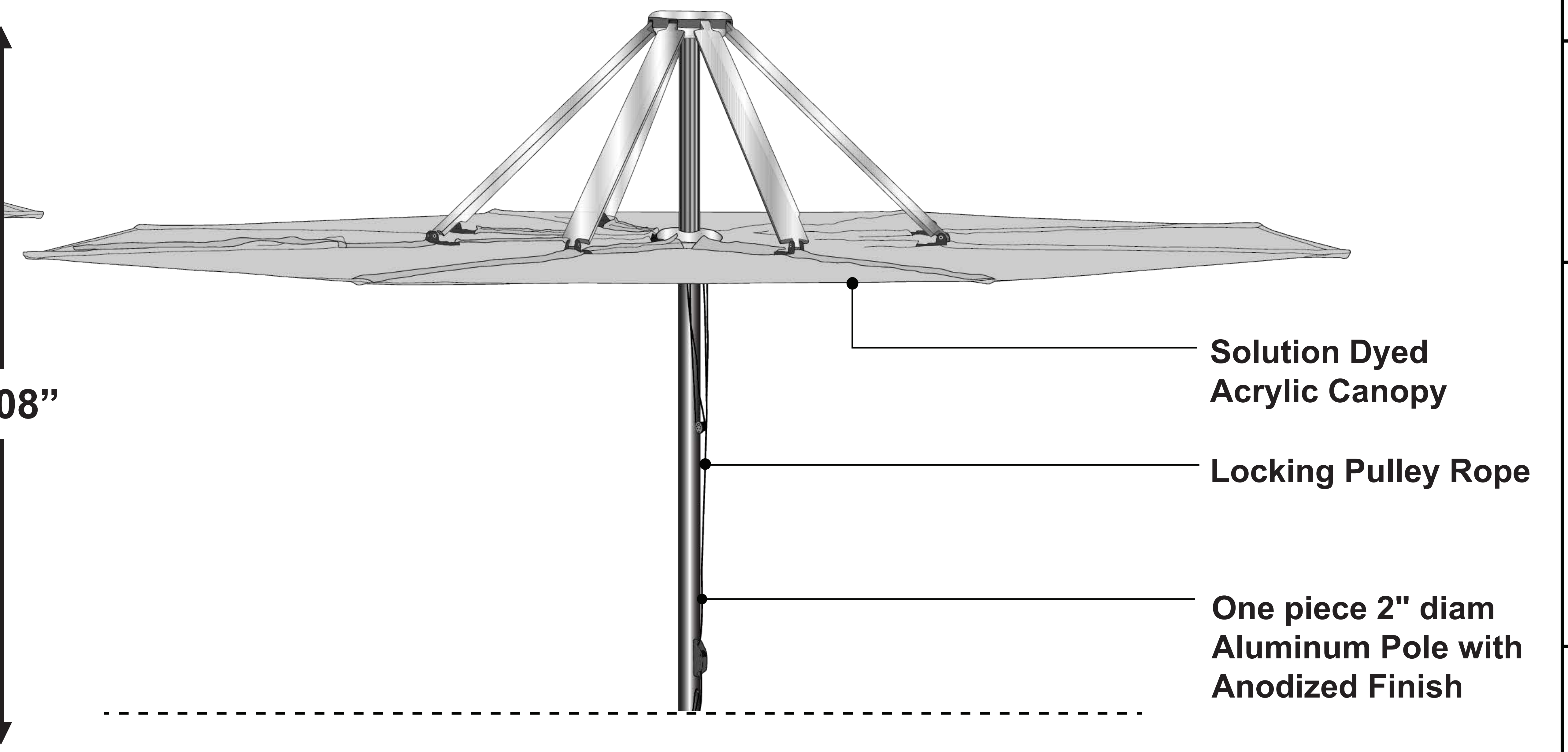
PLAN VIEW



FRONT ELEVATION

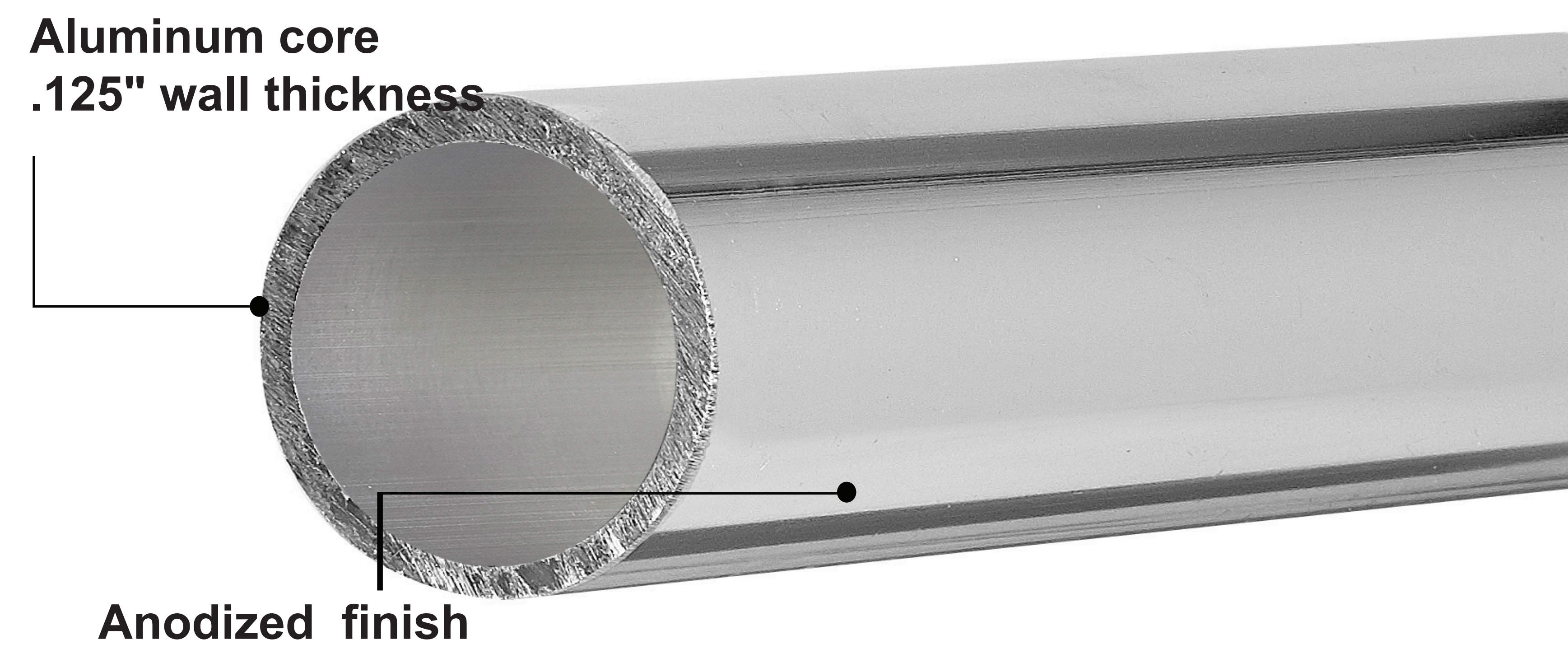


SIDE SECTION



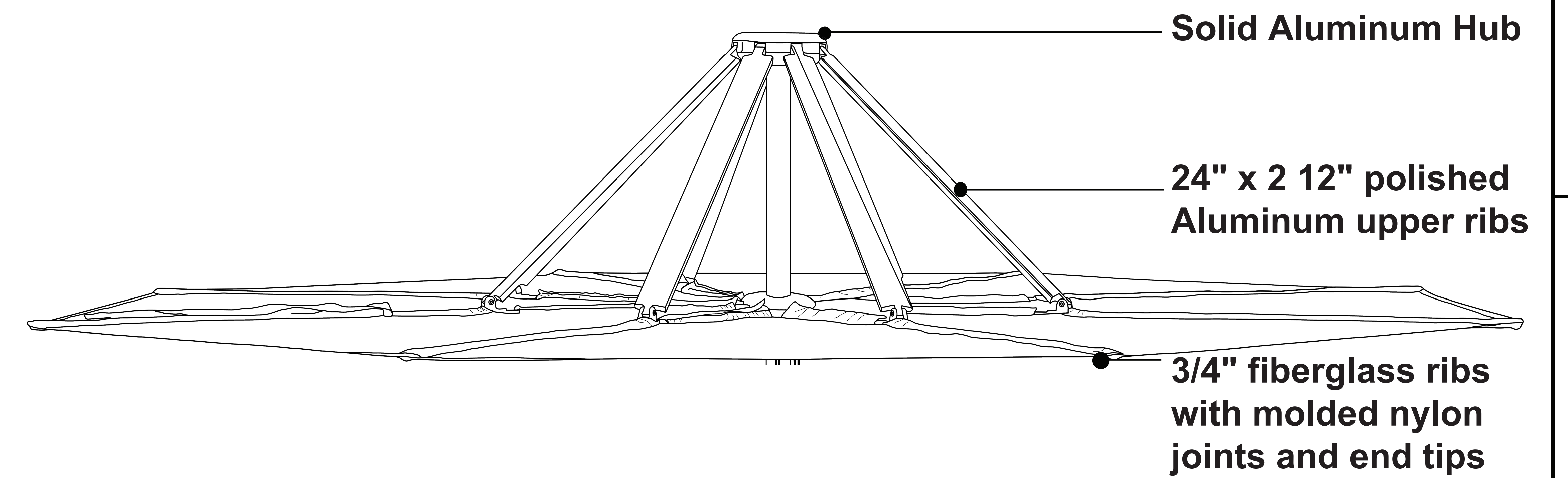
- **9' OCTAGON**
- **FIBERGLASS RIBS 3/4" DIAM**
- **ALUMINUM POLE 2" DIAM**

A



DETAIL A
INTERNAL VIEW
OF POLE CONSTRUCTION

B



DETAIL B
RIB AND HUB
ASSEMBLY

GENERAL NOTES:

1. All Dimensions Are In Inches.
2. 93% Manufactured In The **USA**.

Available Sizes

9' oct with Locking Pulley Lift
Pole: 2" diam
Height: 108"
Weight: 53 lbs



PRESTIGE COLLECTION
MODEL: FLIGHT
DRAWING DATE: 2026