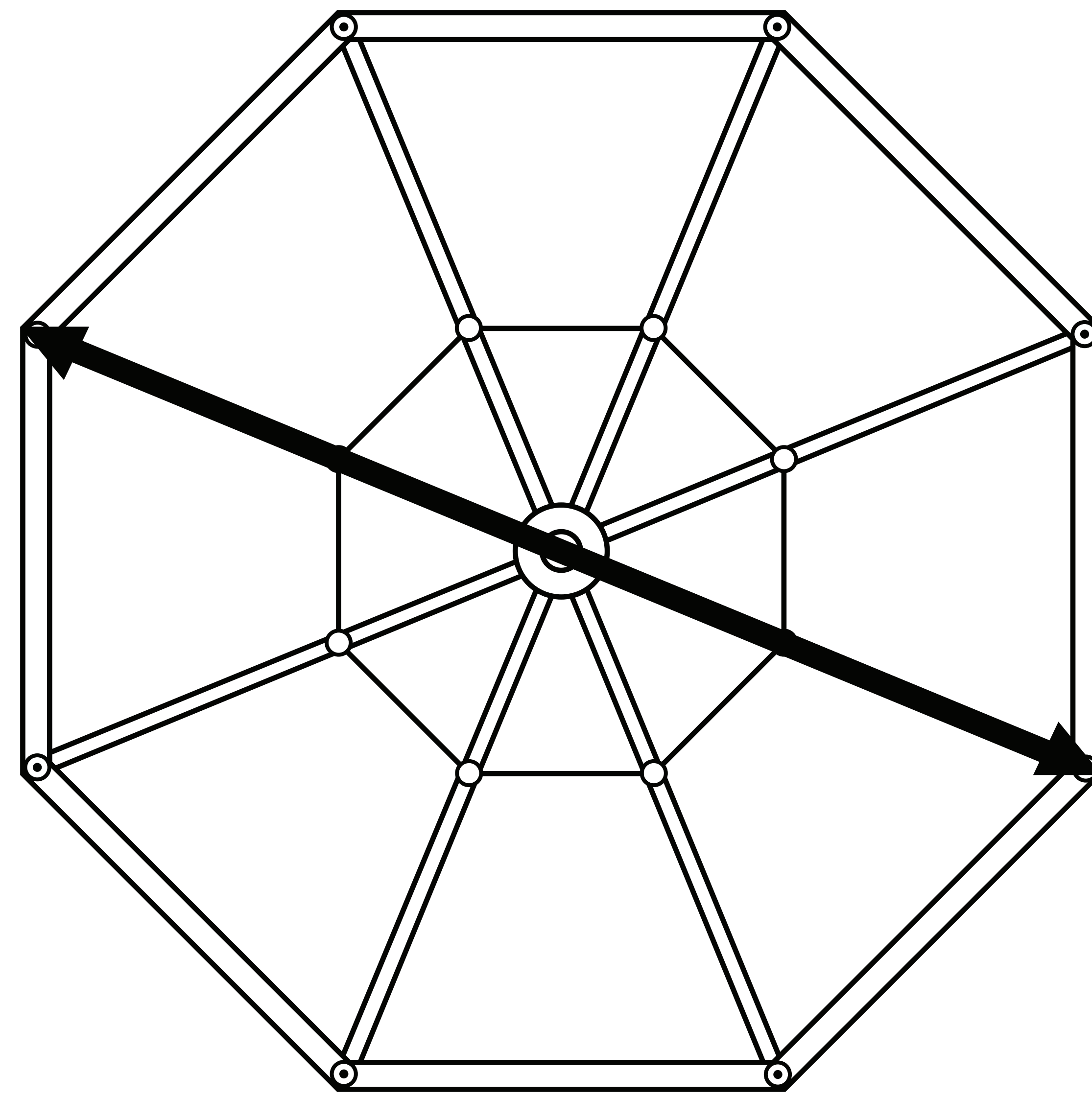


PLAN VIEW

9.0'

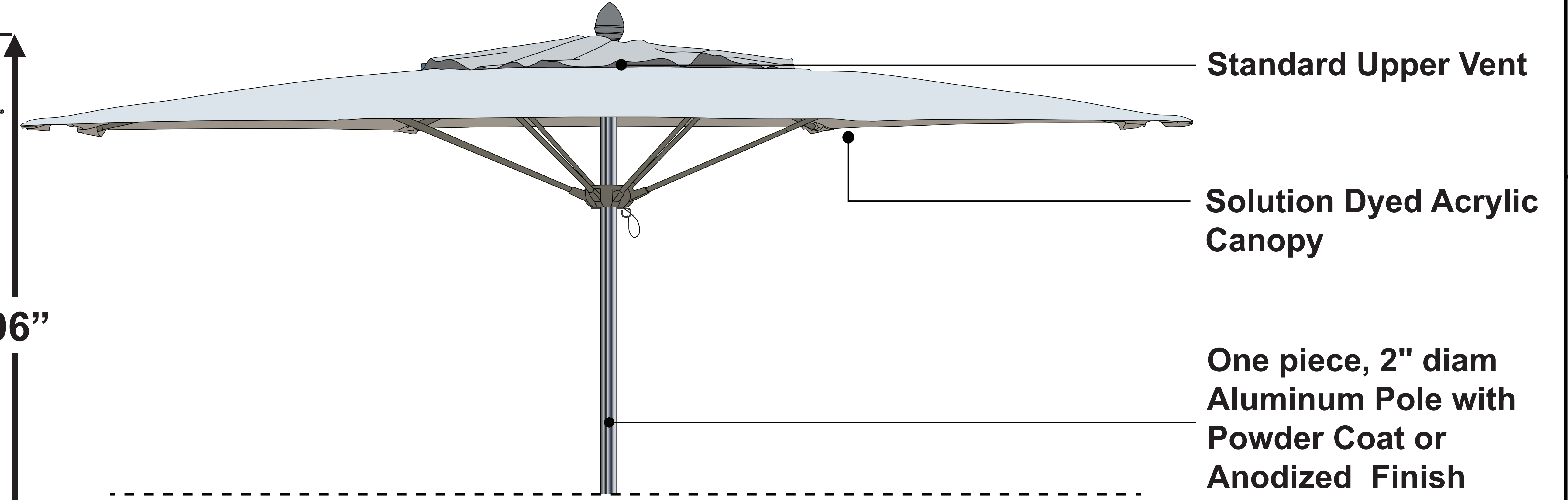


- **9' OCTAGON**
- **FIBERGLASS RIBS 1/2" DIAM**
- **ALUMINUM POLE 2" DIAM**

FRONT ELEVATION



COMPONENTS



A

Aluminum core
.125" wall thickness

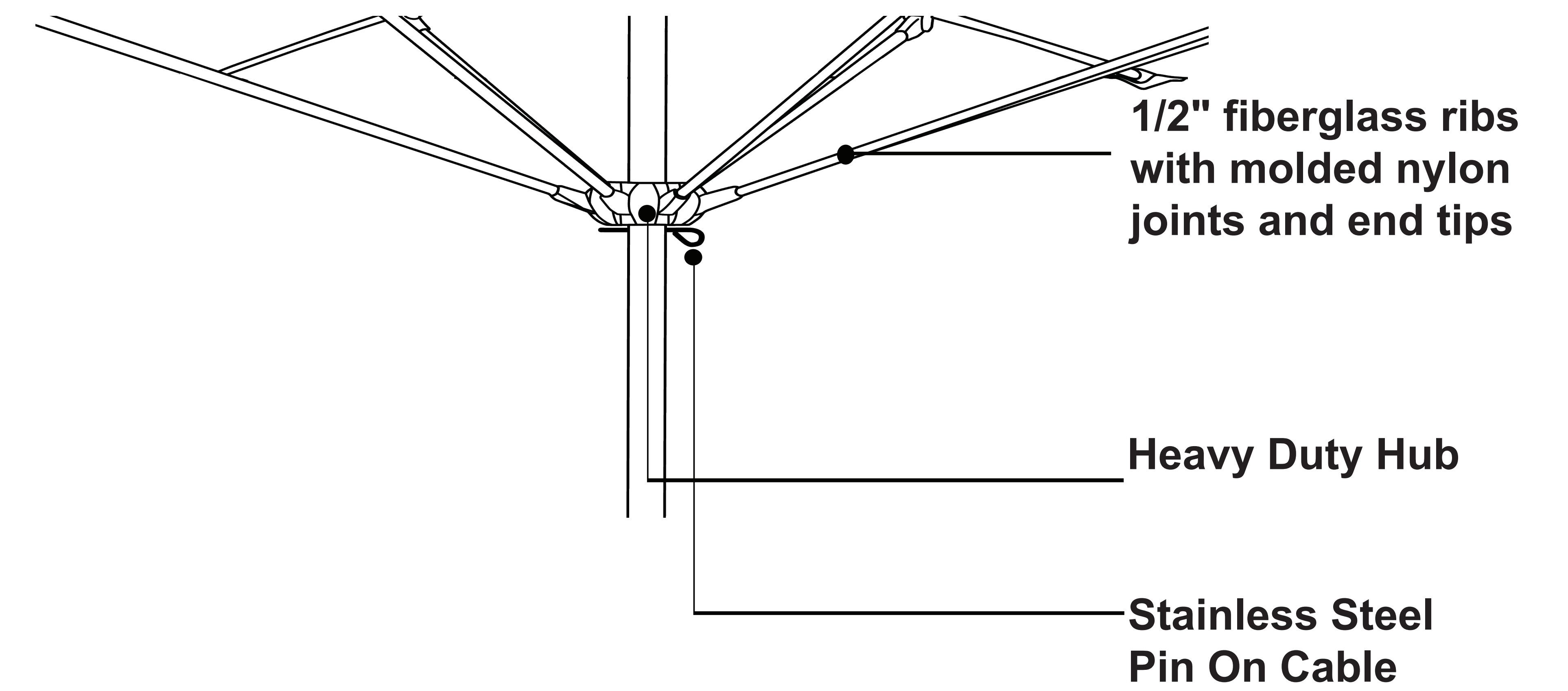


Powder Coat or Anodized finish

DETAIL A

INTERNAL VIEW
OF POLE CONSTRUCTION

B



DETAIL B

RIB, HUB AND PULLEY
ASSEMBLY

GENERAL NOTES:

1. All Dimensions Are In Inches.
2. 93% Manufactured In The USA.

Available Sizes

9' oct with Push Up & Pin Lift Height: 96" Weight: 34 lbs	11' oct with Push Up & Pin Lift Height: 102" Weight: 38 lbs	6' sq with Push Up & Pin Lift Height: 96" Weight: 26 lbs
---	---	--

PRESTIGE COLLECTION
MODEL: GUSTO
DRAWING DATE: 2026

