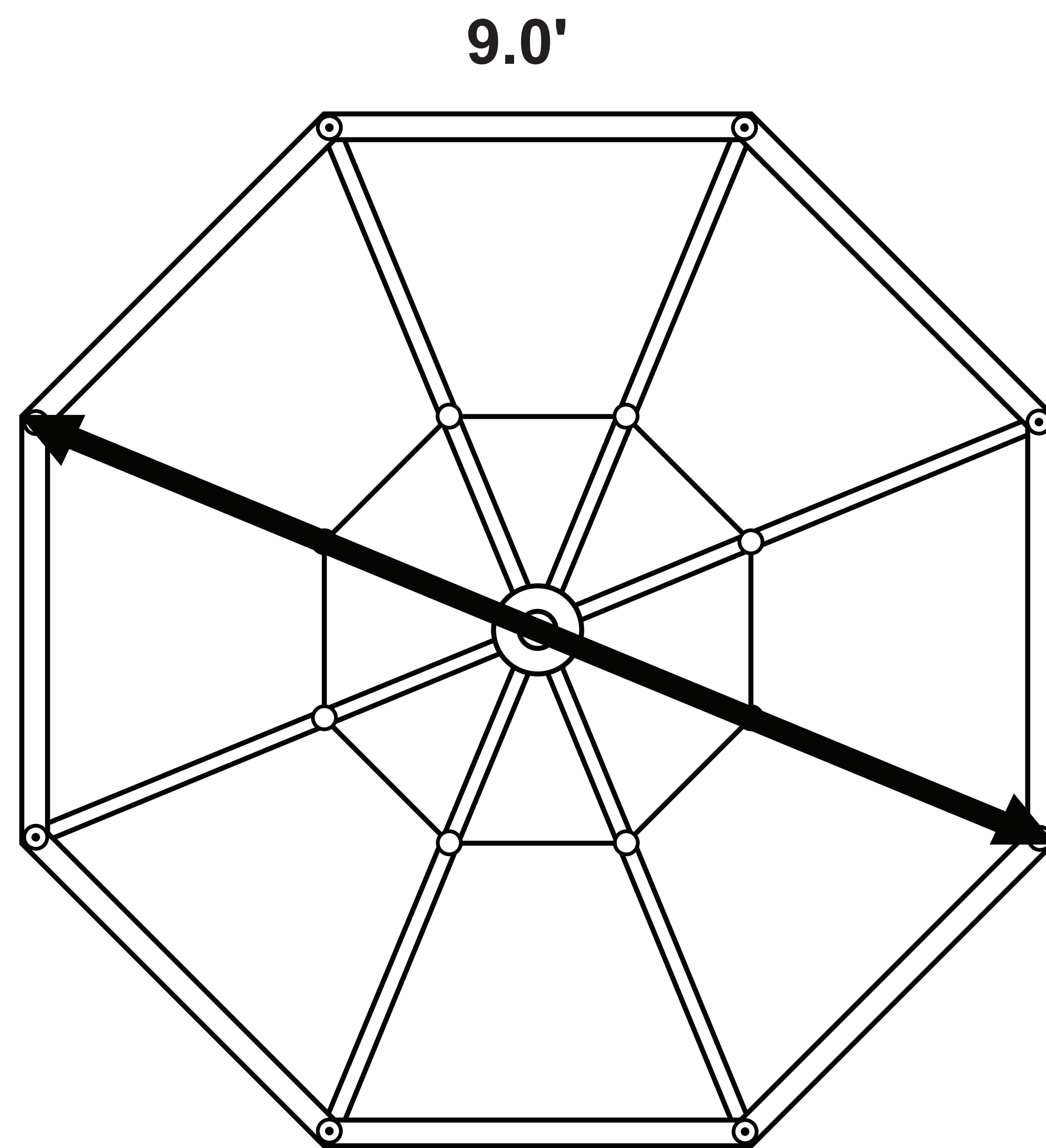


PLAN VIEW

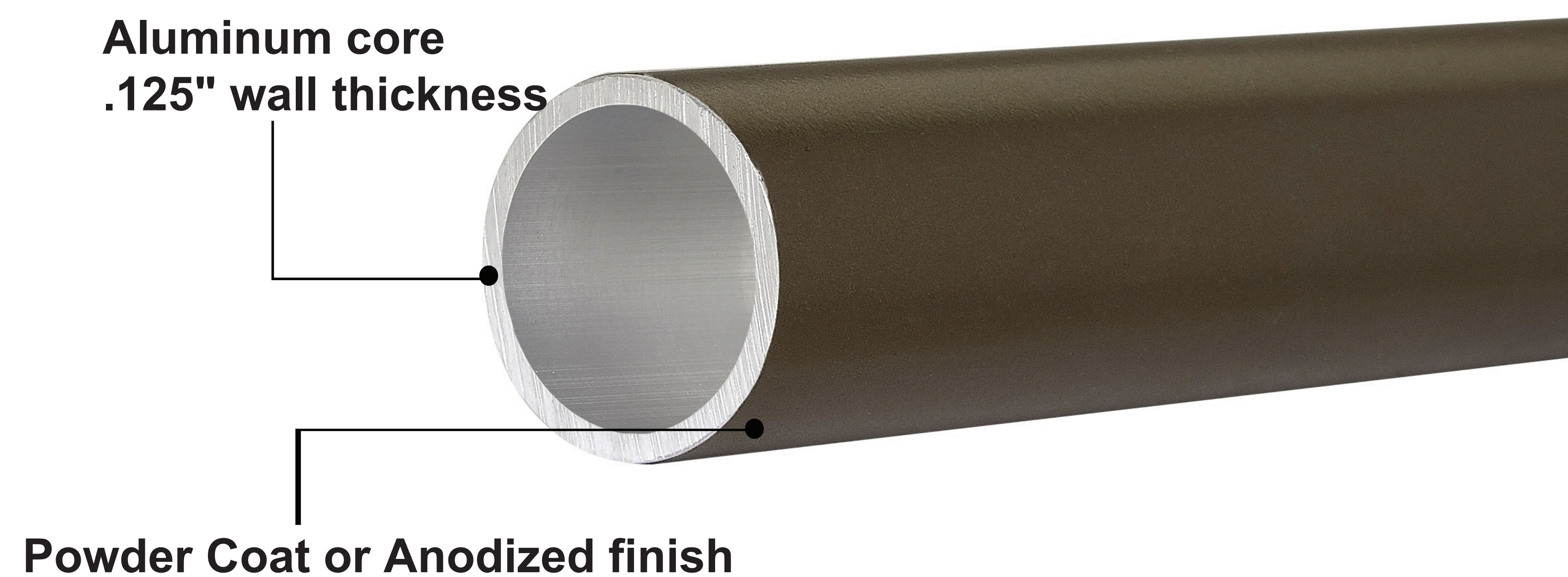


- **9' OCTAGON**
- **FIBERGLASS RIBS 1/2" DIAM**
- **ALUMINUM POLE 1 1/2" DIAM**

FRONT ELEVATION

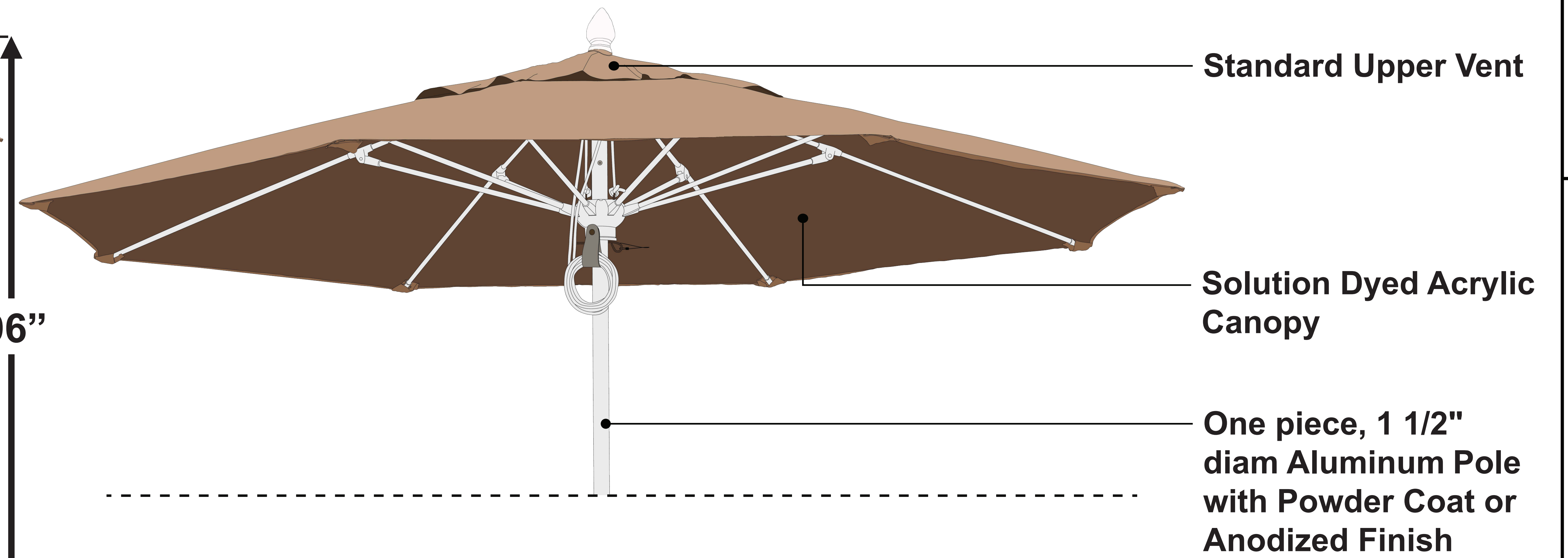


A

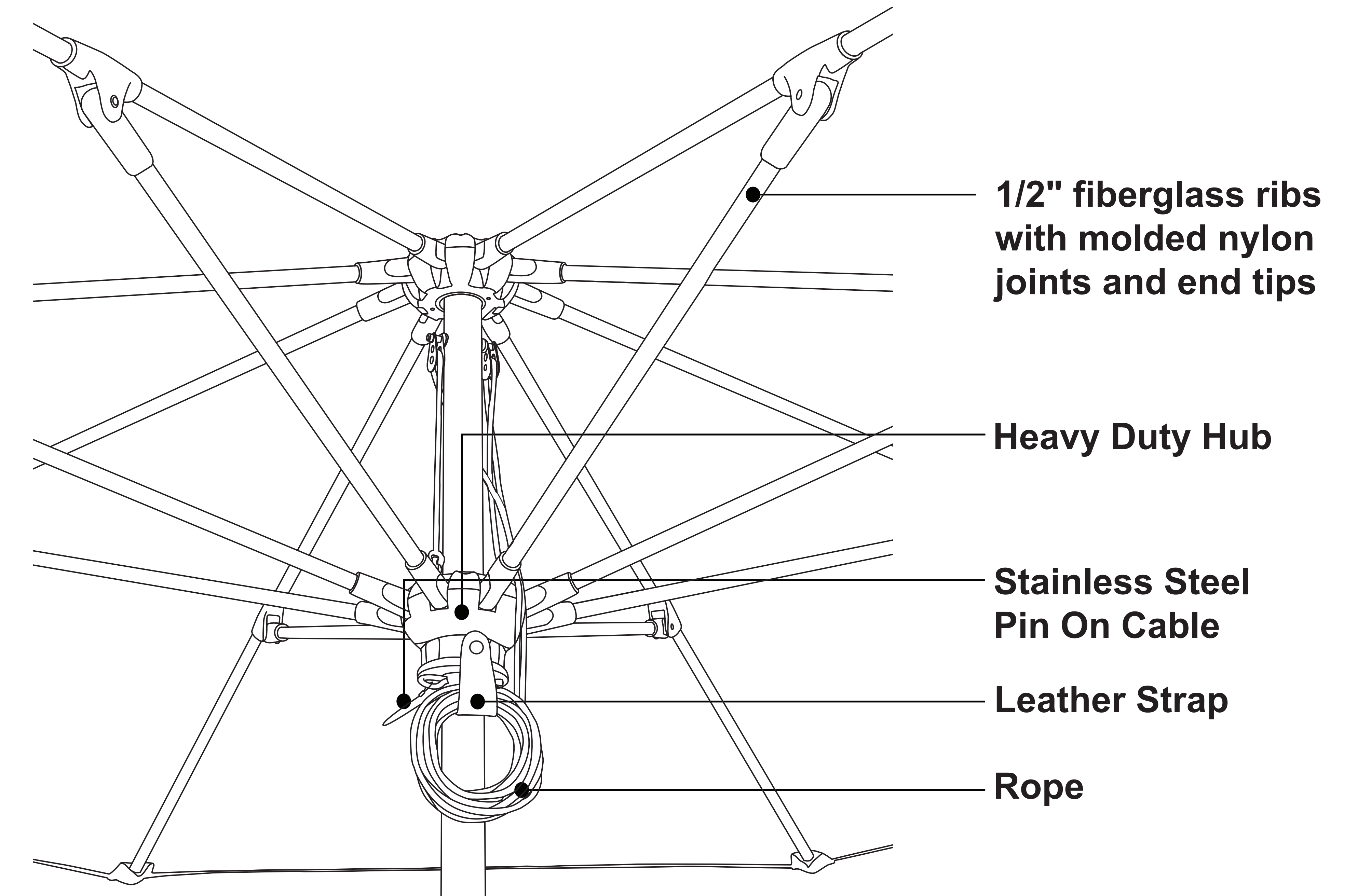


DETAIL A
INTERNAL VIEW
OF POLE CONSTRUCTION

COMPONENTS



B



DETAIL B
RIB, HUB AND PULLEY
ASSEMBLY

GENERAL NOTES:

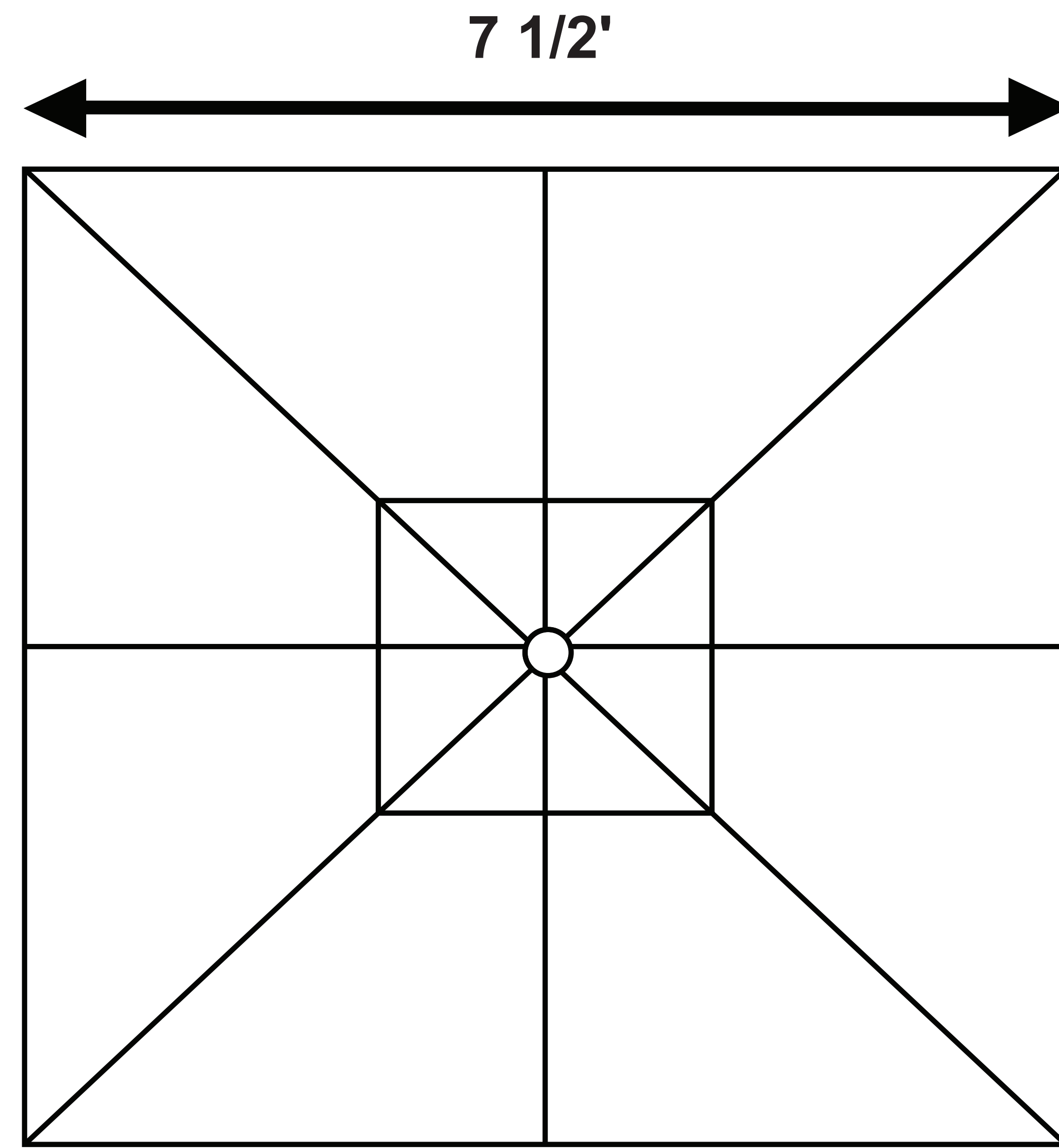
1. All Dimensions Are In Inches.
2. 93% Manufactured In The **USA**.

Available Sizes

8' oct with Push Up & Pin Lift Height: 96" Weight: 27 lbs	9' oct with Push Up & Pin or Pulley & Pin Lift Height: 96" Weight: 28 lbs	11' oct with Pulley & Pin Lift Height: 102" Weight: 30 lbs
---	---	--

PRESTIGE COLLECTION
MODEL: LUCAYA OCTAGON
DRAWING DATE: 2026

PLAN VIEW

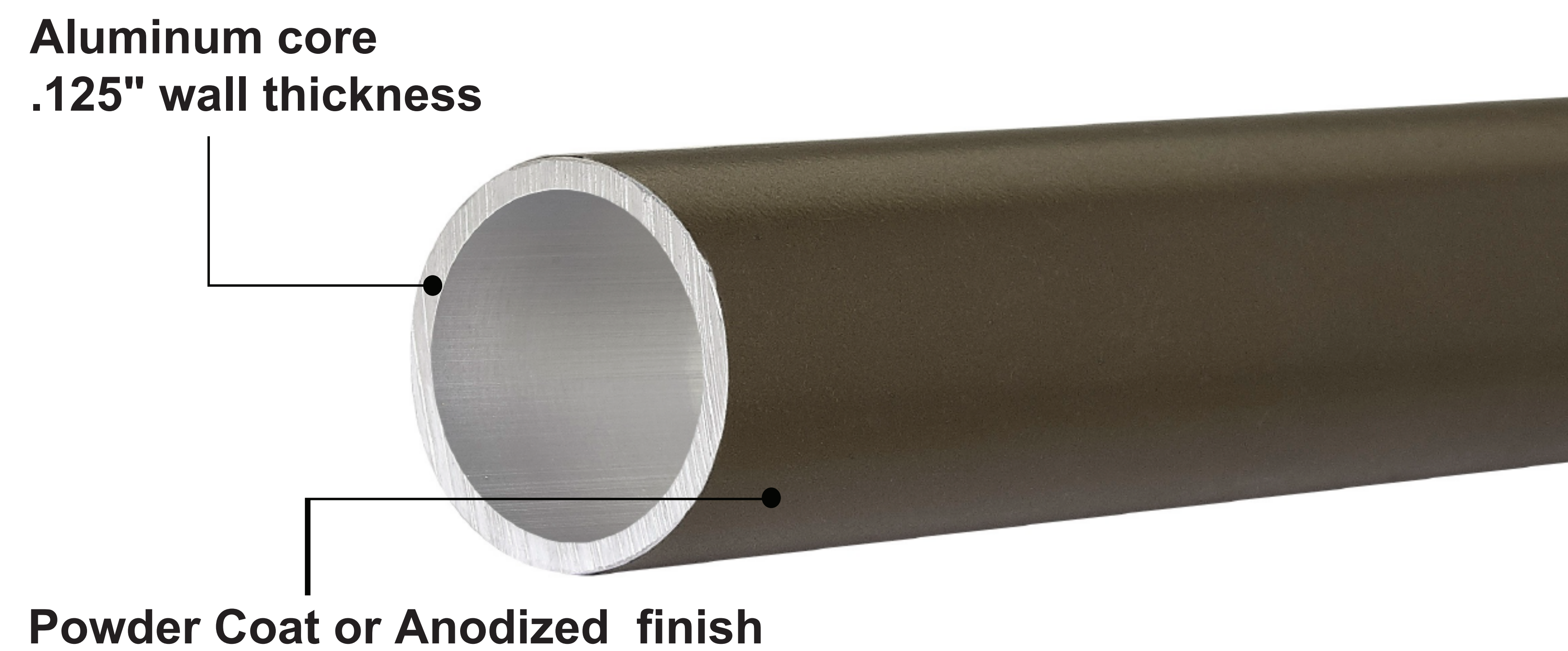


- 7 1/2' SQUARE
- FIBERGLASS RIBS 1/2" DIAM
- ALUMINUM POLE 1 1/2" DIAM

FRONT ELEVATION

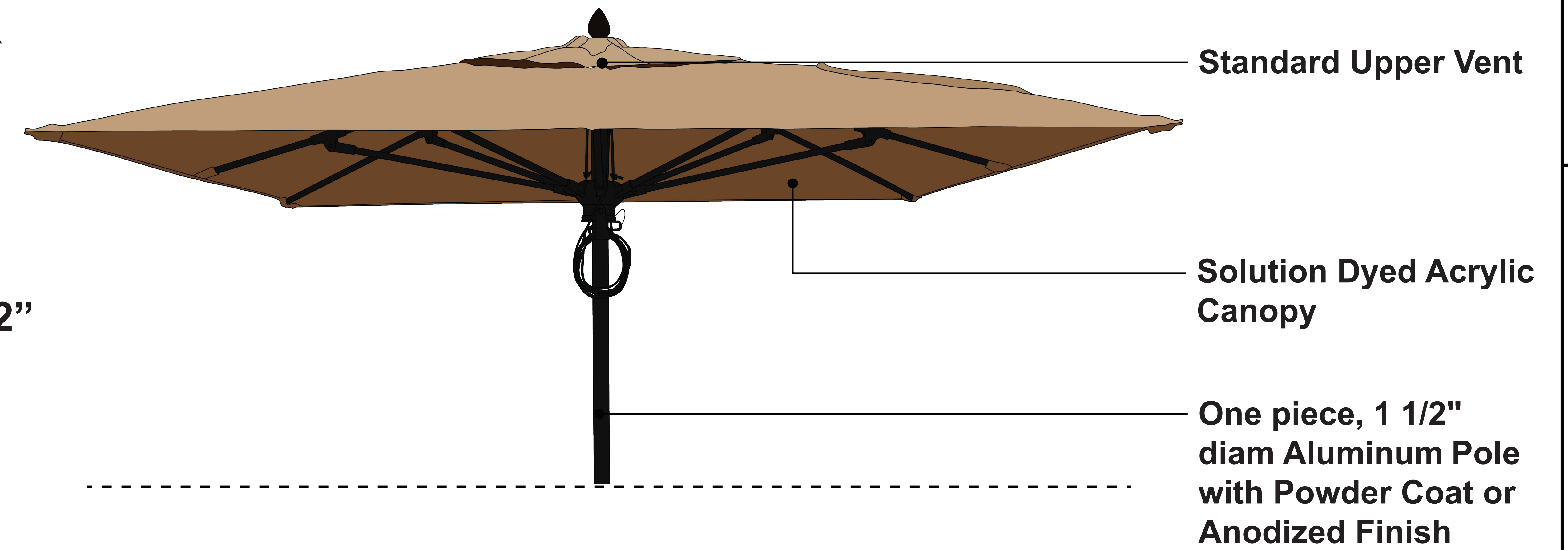


A

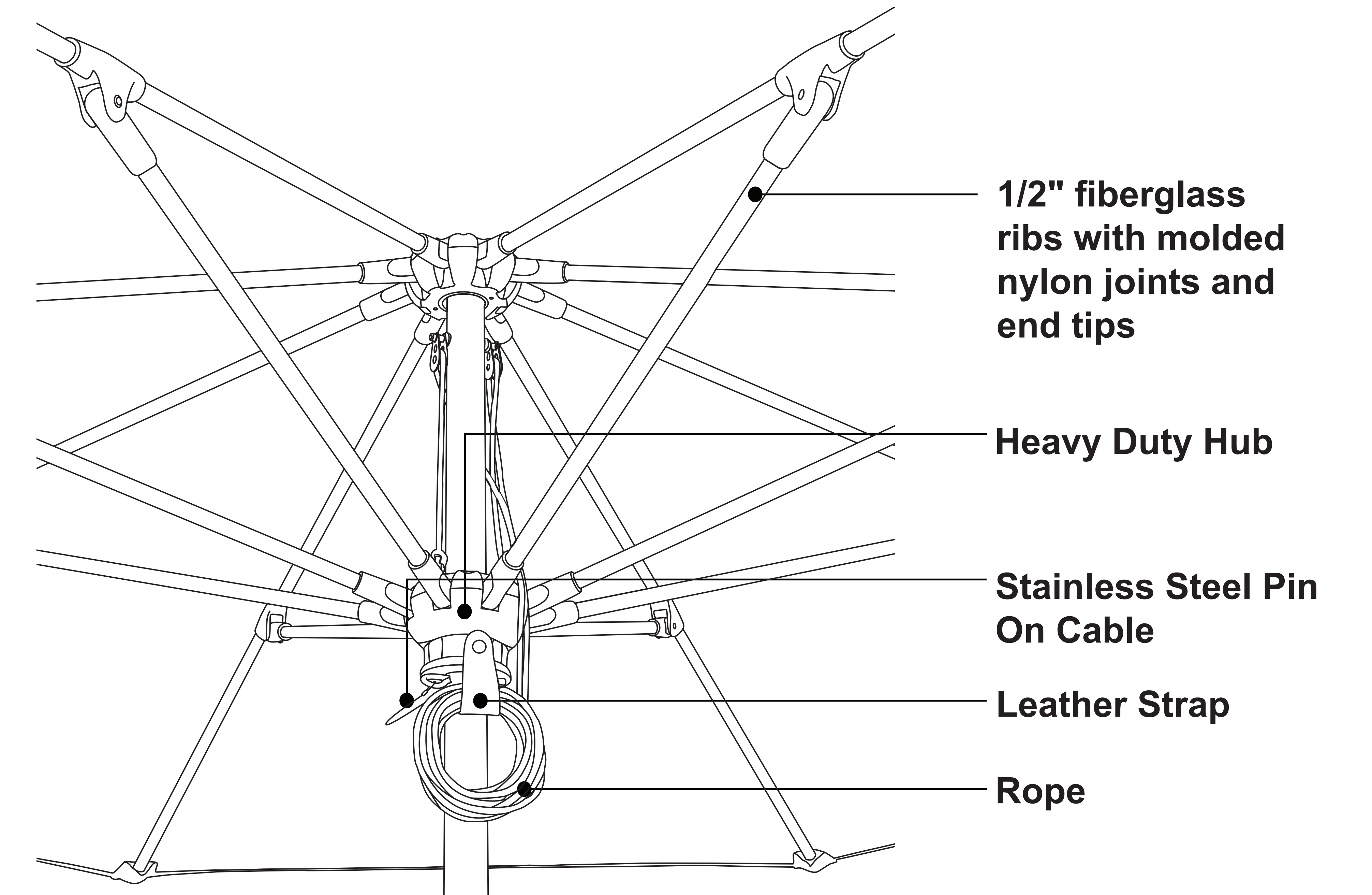


DETAIL A
INTERNAL VIEW
OF POLE CONSTRUCTION

COMPONENTS



B



DETAIL B
RIB, HUB AND PULLEY
ASSEMBLY

GENERAL NOTES:

1. All Dimensions Are In Inches.
2. 93% Manufactured In The USA.

Available Sizes

6' sq with Push Up & Pin Lift Height: 96" Weight: 26 lbs	7 1/2' sq with Push Up & Pin Lift Height: 102" Weight: 30 lbs
--	---

PRESTIGE COLLECTION
MODEL: LUCAYA SQUARE
DRAWING DATE: 2026

