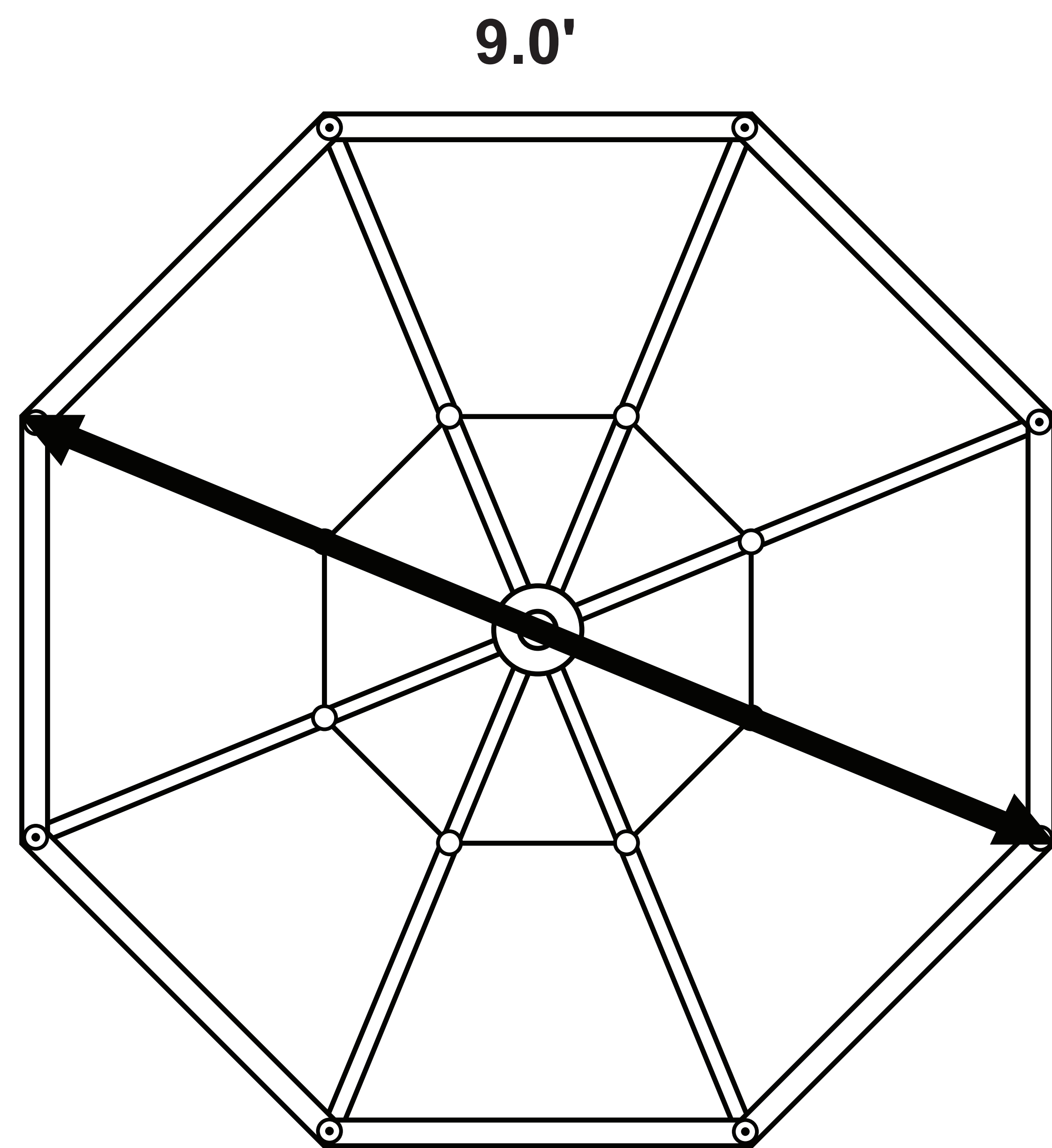


PLAN VIEW

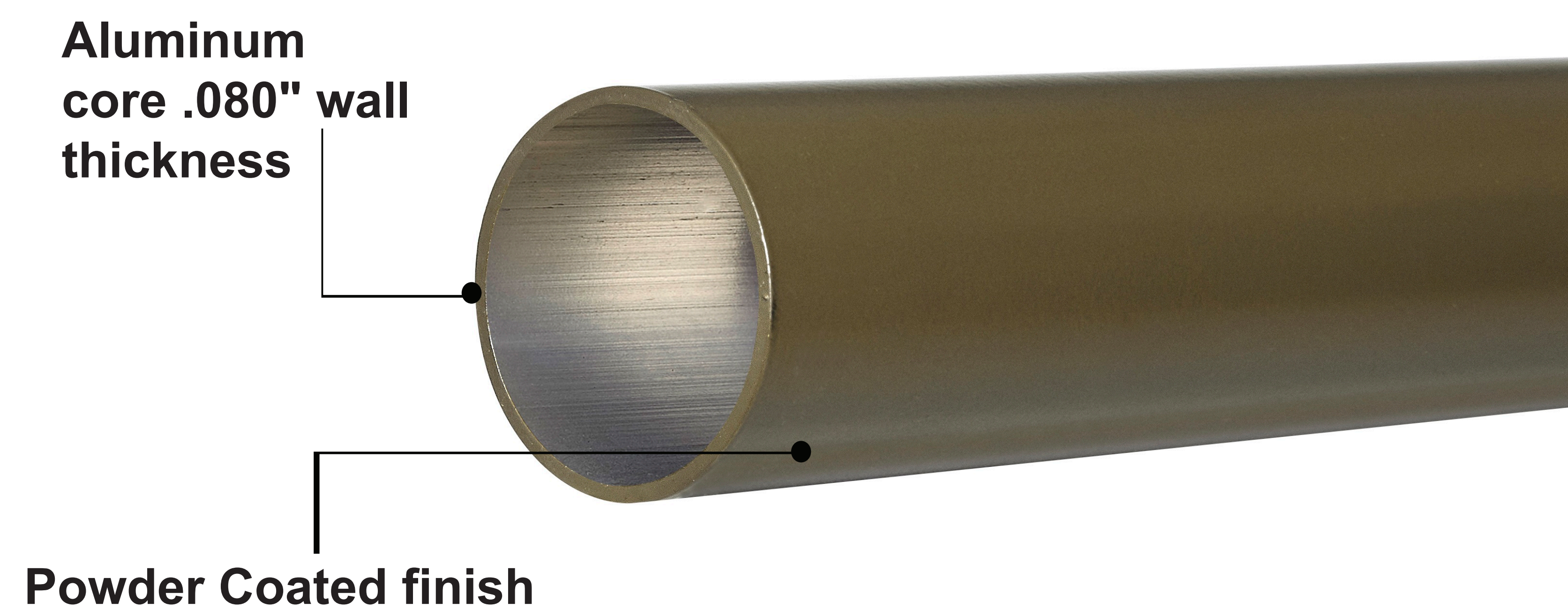


- **9' OCTAGON**
- **FIBERGLASS RIBS 1/2" DIAM**
- **ALUMINUM POLE 1 1/2" DIAM**

FRONT ELEVATION

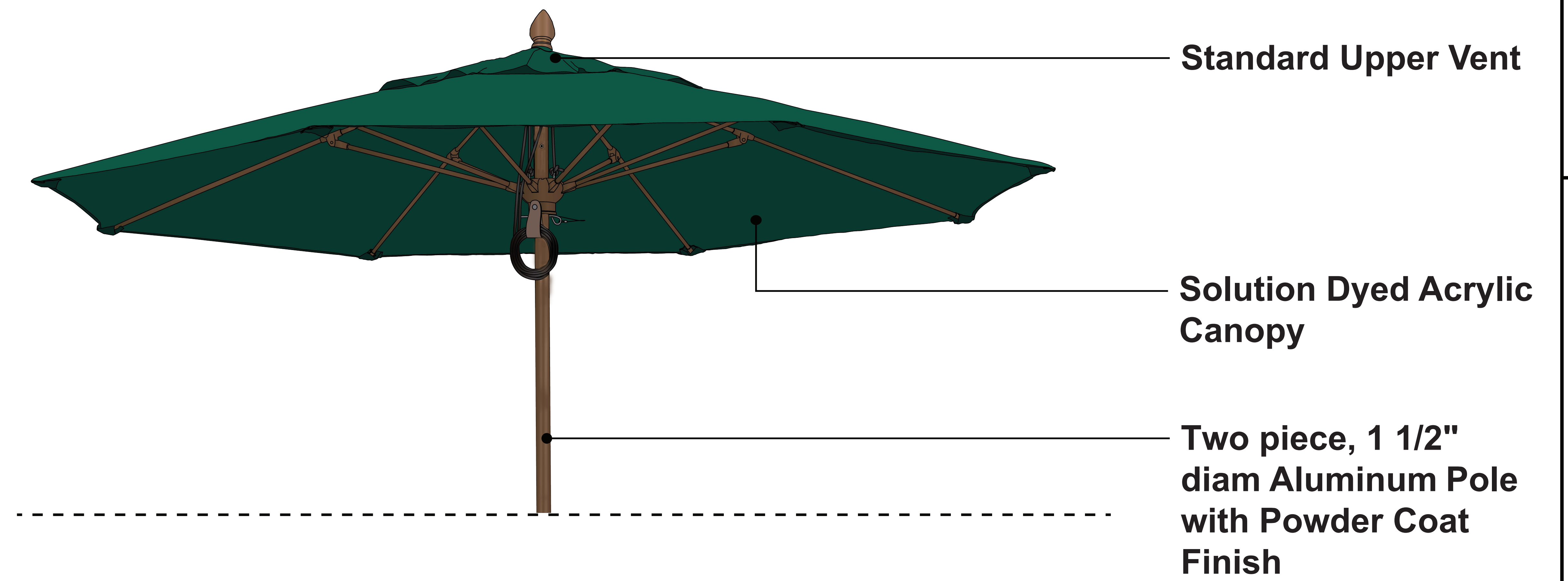


A

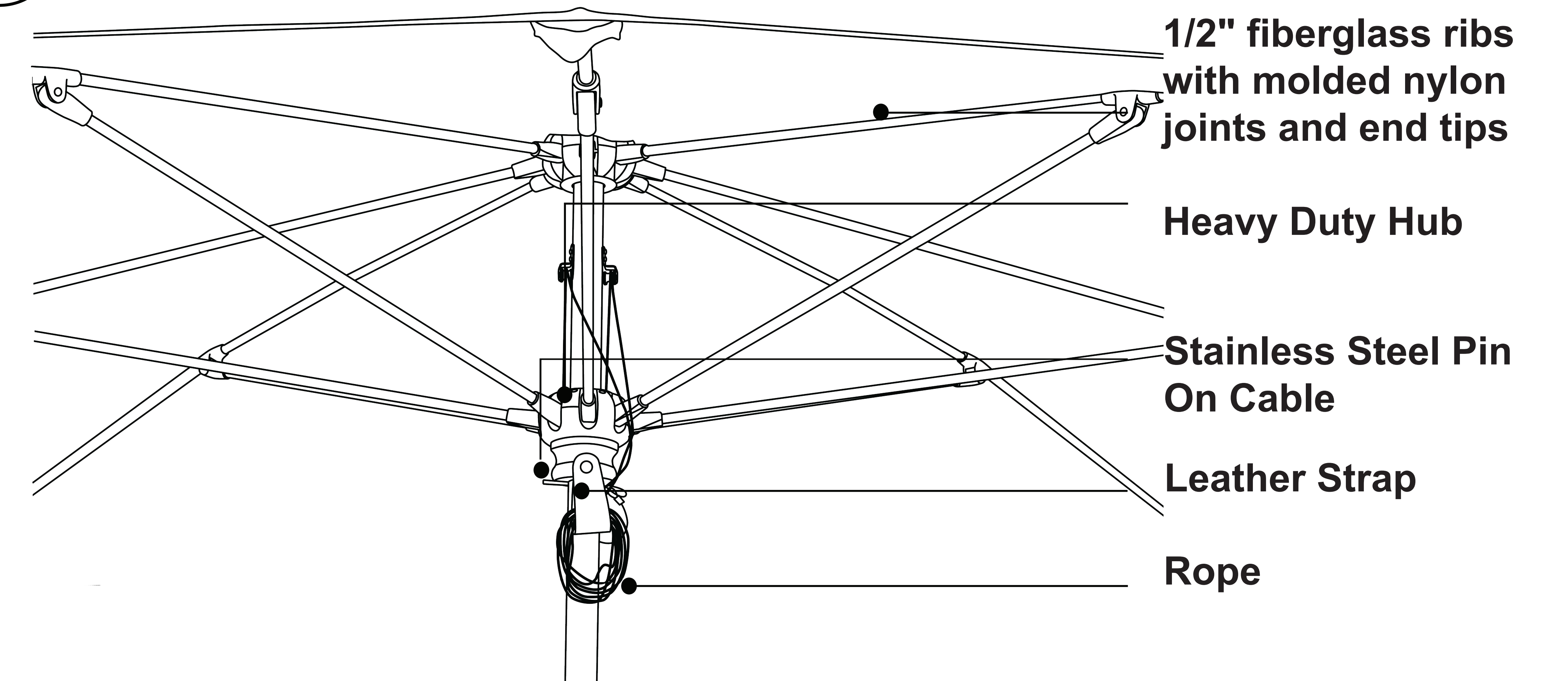


DETAIL A
INTERNAL VIEW
OF POLE CONSTRUCTION

COMPONENTS



B



DETAIL B
RIB, HUB AND PULLEY
ASSEMBLY

GENERAL NOTES:

1. All Dimensions Are In Inches.

Available Sizes

| | | | |
|---|---|--|---|
| 9' oct with Pulley & Pin Height: 96" Weight: 22 lbs | 11' oct with Pulley & Pin Height: 102" Weight: 28 lbs | 6' sq with Pulley & Pin Height: 96" Weight: 18 lbs | 7 1/2' sq with Pulley & Pin Height: 102" Weight: 20 lbs |
|---|---|--|---|

| |
|--|
| MARKET COLLECTION |
| MODEL: MARKET PULLEY & PIN LIFT |
| DRAWING DATE: 2026 |

