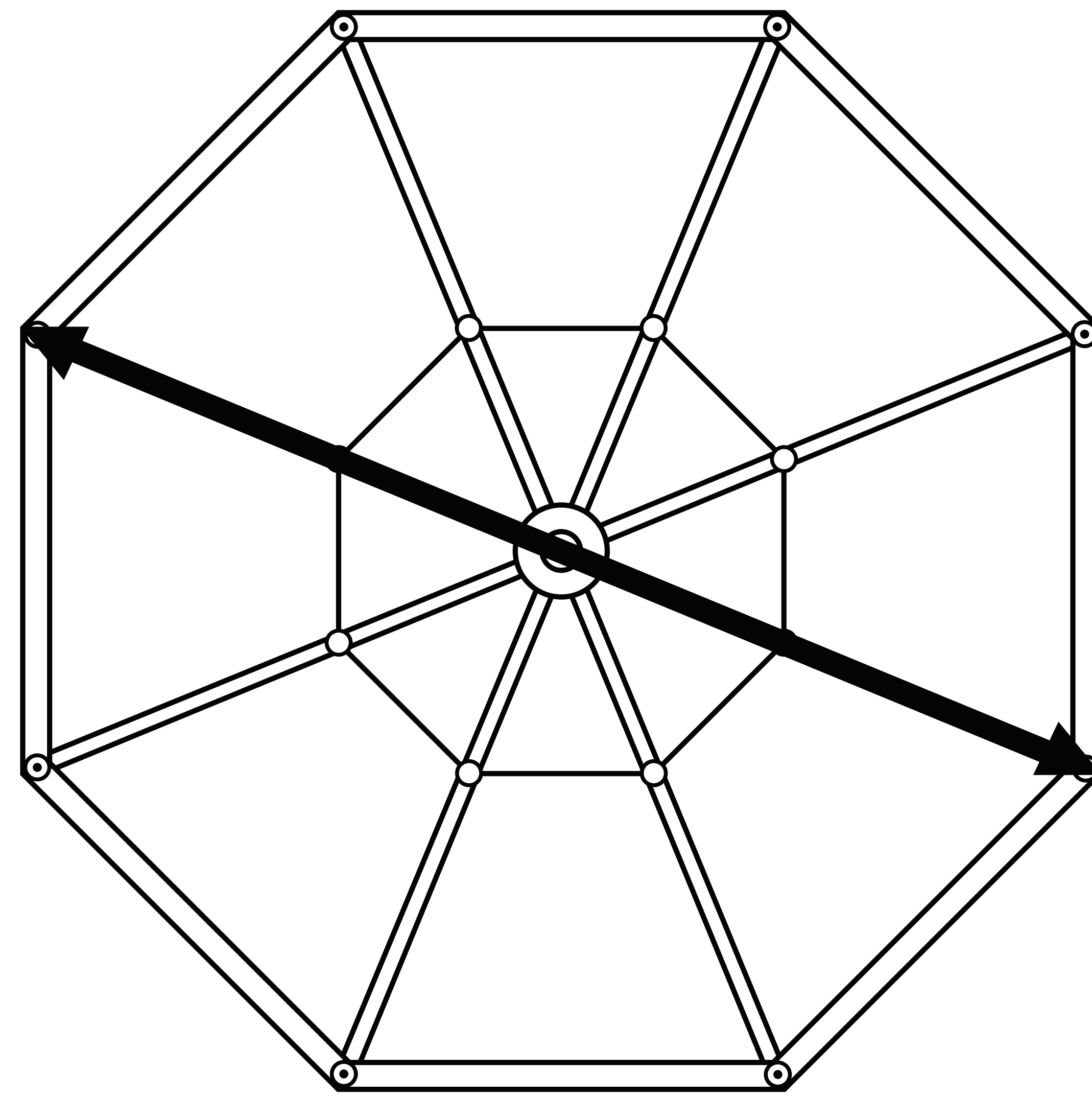


PLAN VIEW

9.0'

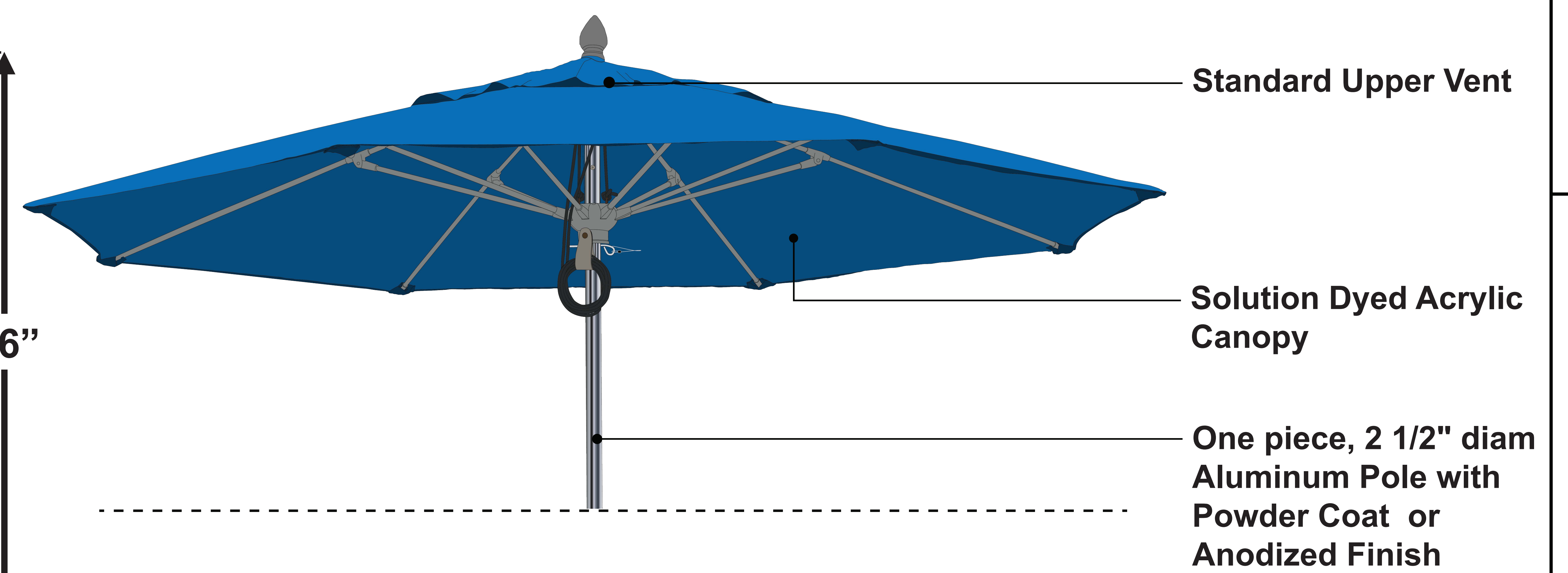


- **9' OCTAGON**
- **FIBERGLASS RIBS 3/4" DIAM**
- **ALUMINUM POLE 2 1/2" DIAM**

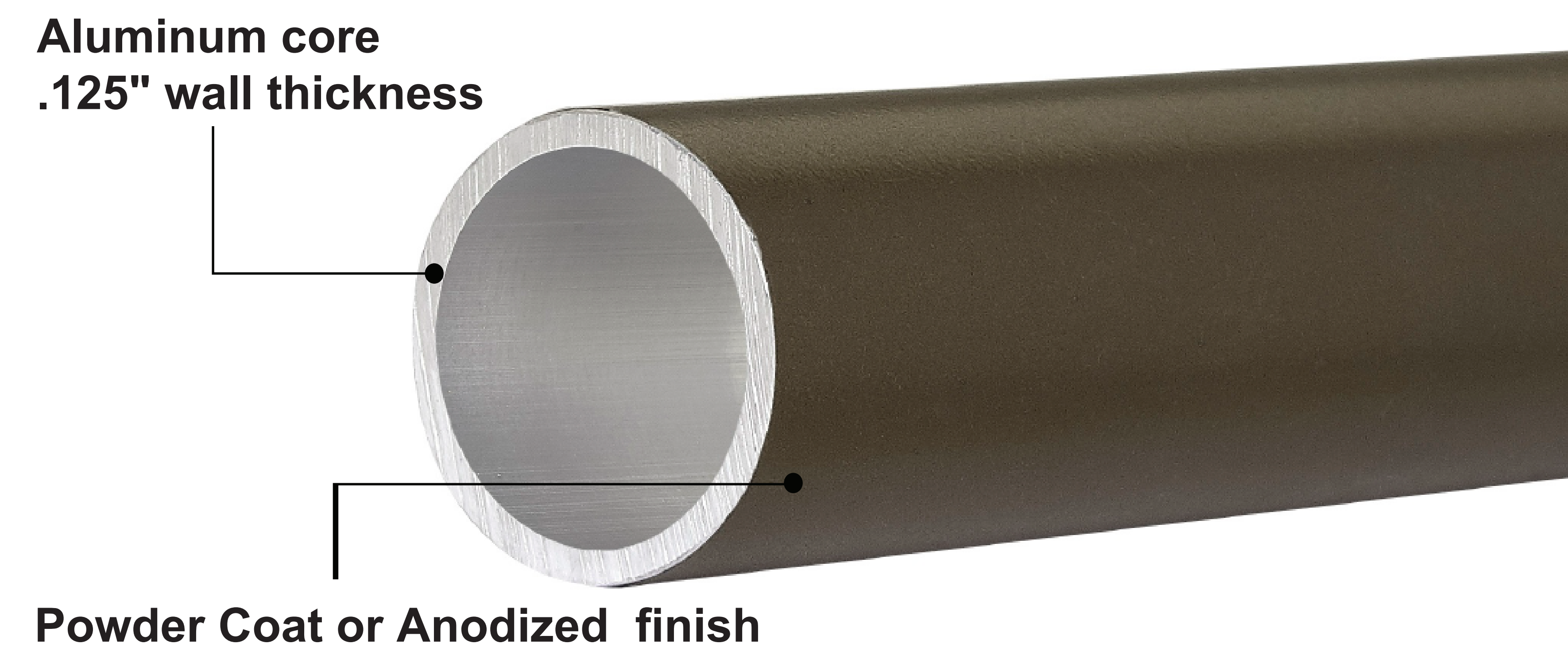
FRONT ELEVATION



COMPONENTS

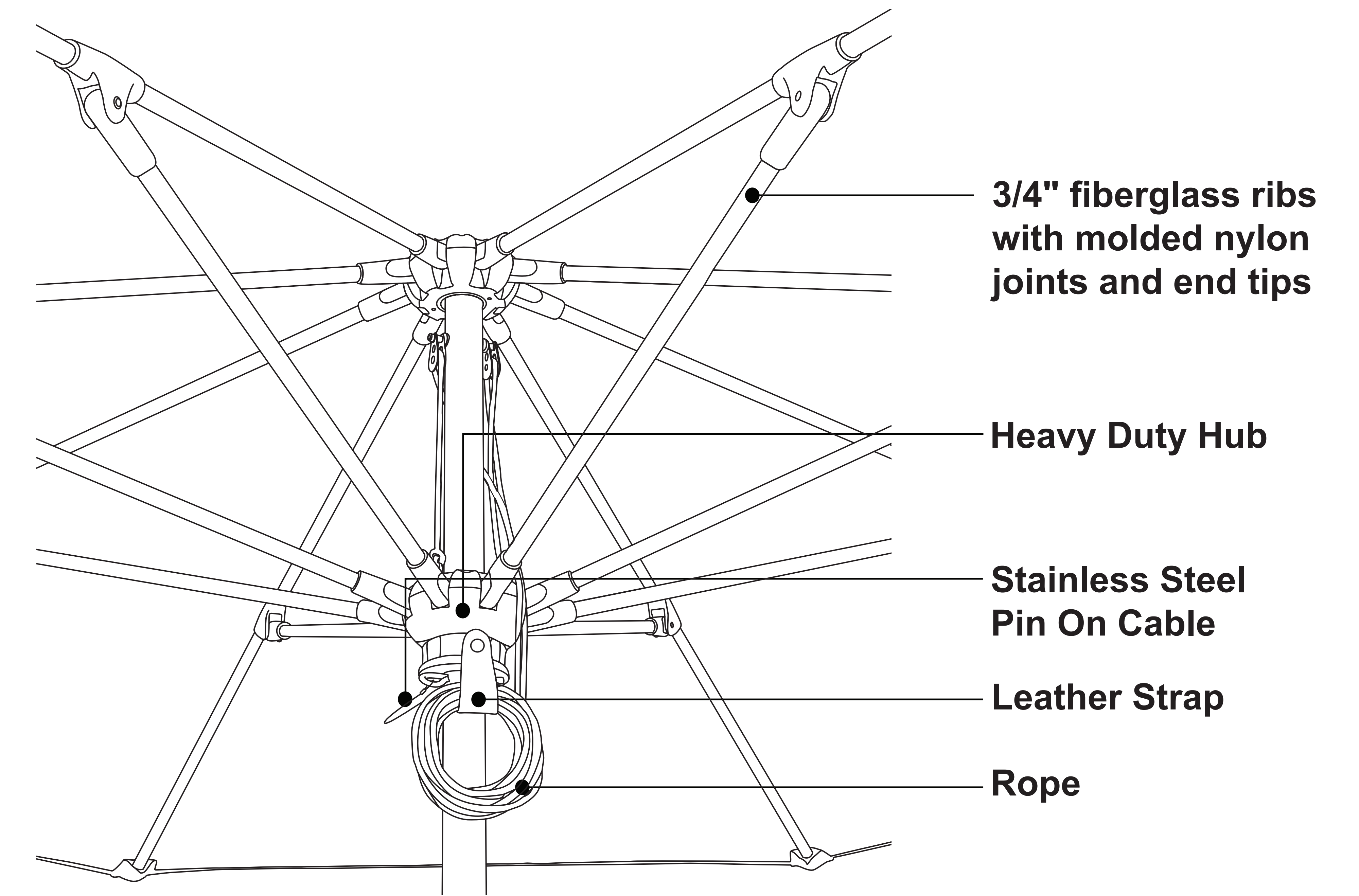


A



DETAIL A
INTERNAL VIEW
OF POLE CONSTRUCTION

B



DETAIL B
RIB, HUB AND PULLEY
ASSEMBLY

GENERAL NOTES:

1. All Dimensions Are In Inches.
2. 93% Manufactured In The **USA**.

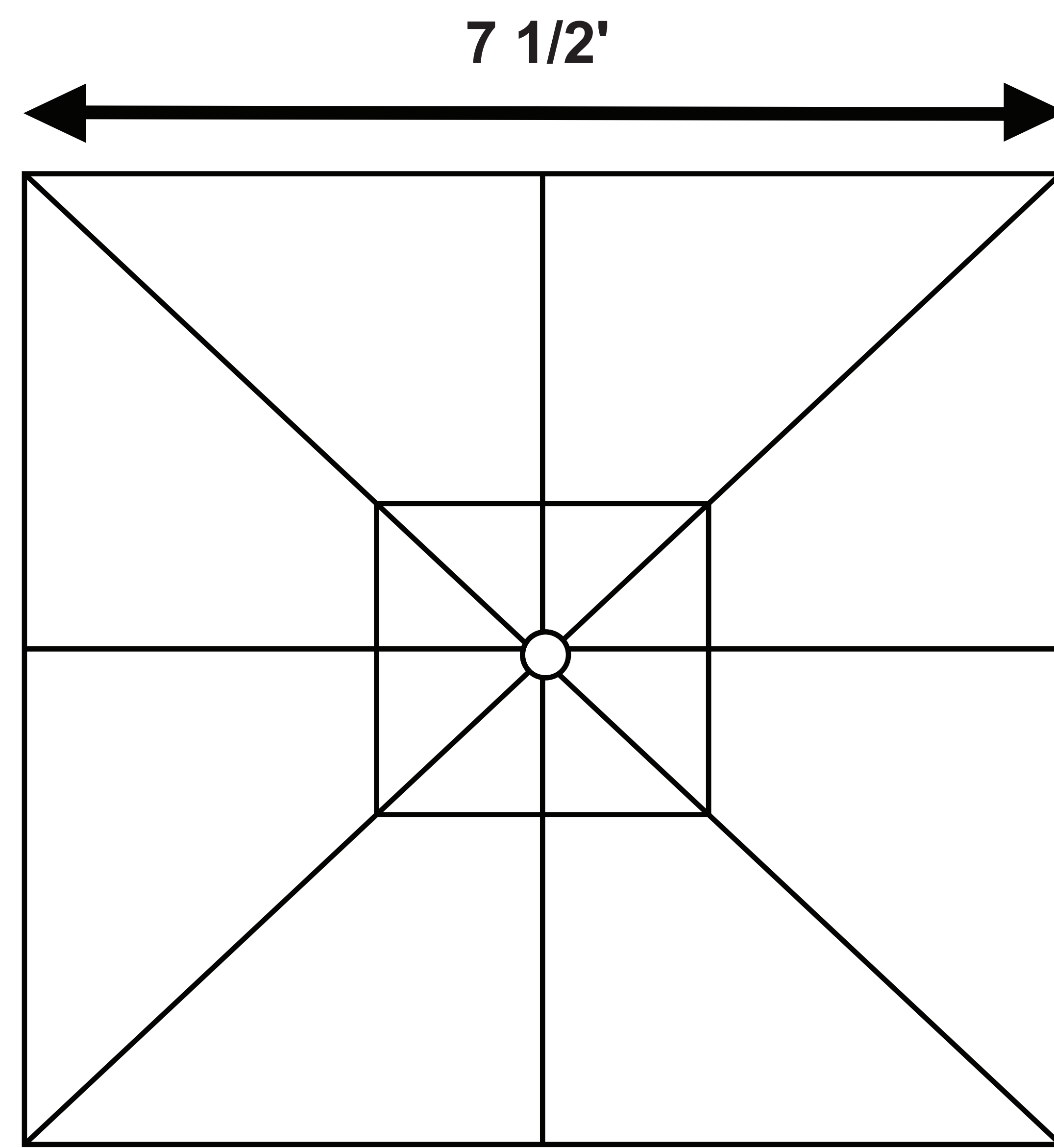
Available Sizes

9' oct with Push Up & Pin or Pulley & Pin Lift Height: 96" Weight: 37 lbs	11' oct with Pulley & Pin Lift Height: 102" Weight: 45 lbs	13' oct with Pulley & Pin Lift Height: 108" Weight: 58 lbs
---	--	--

PRESTIGE COLLECTION
MODEL: OCEANA OCTAGON
DRAWING DATE: 2026



PLAN VIEW

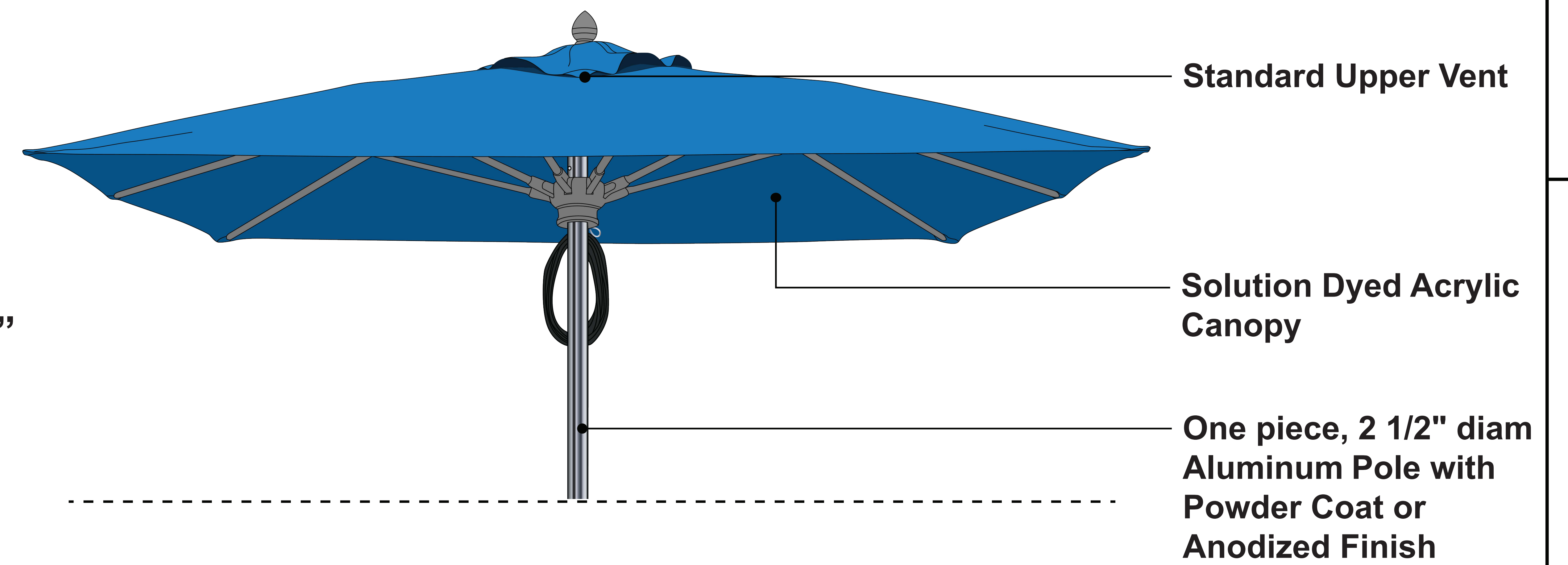


- 7 1/2' SQUARE
- FIBERGLASS RIBS 3/4" DIAM
- ALUMINUM POLE 2 1/2" DIAM

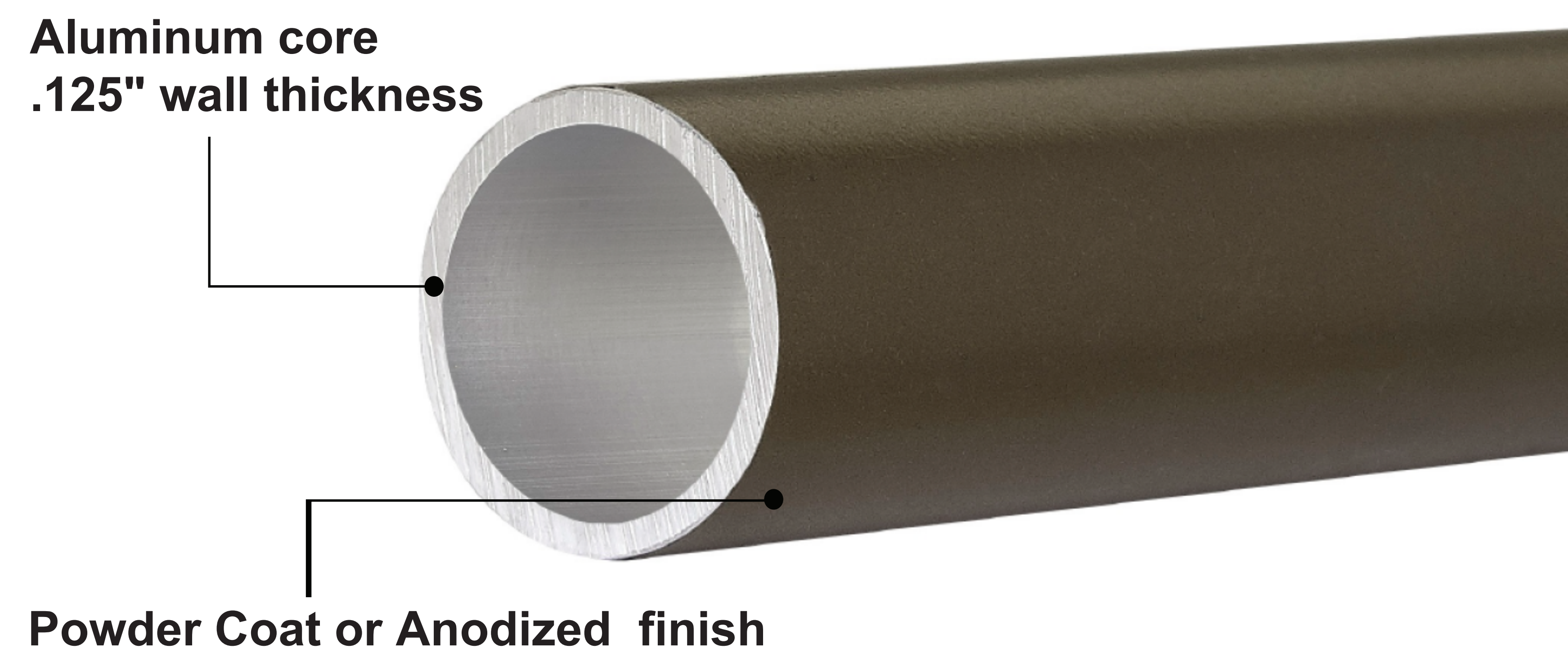
FRONT ELEVATION



COMPONENTS

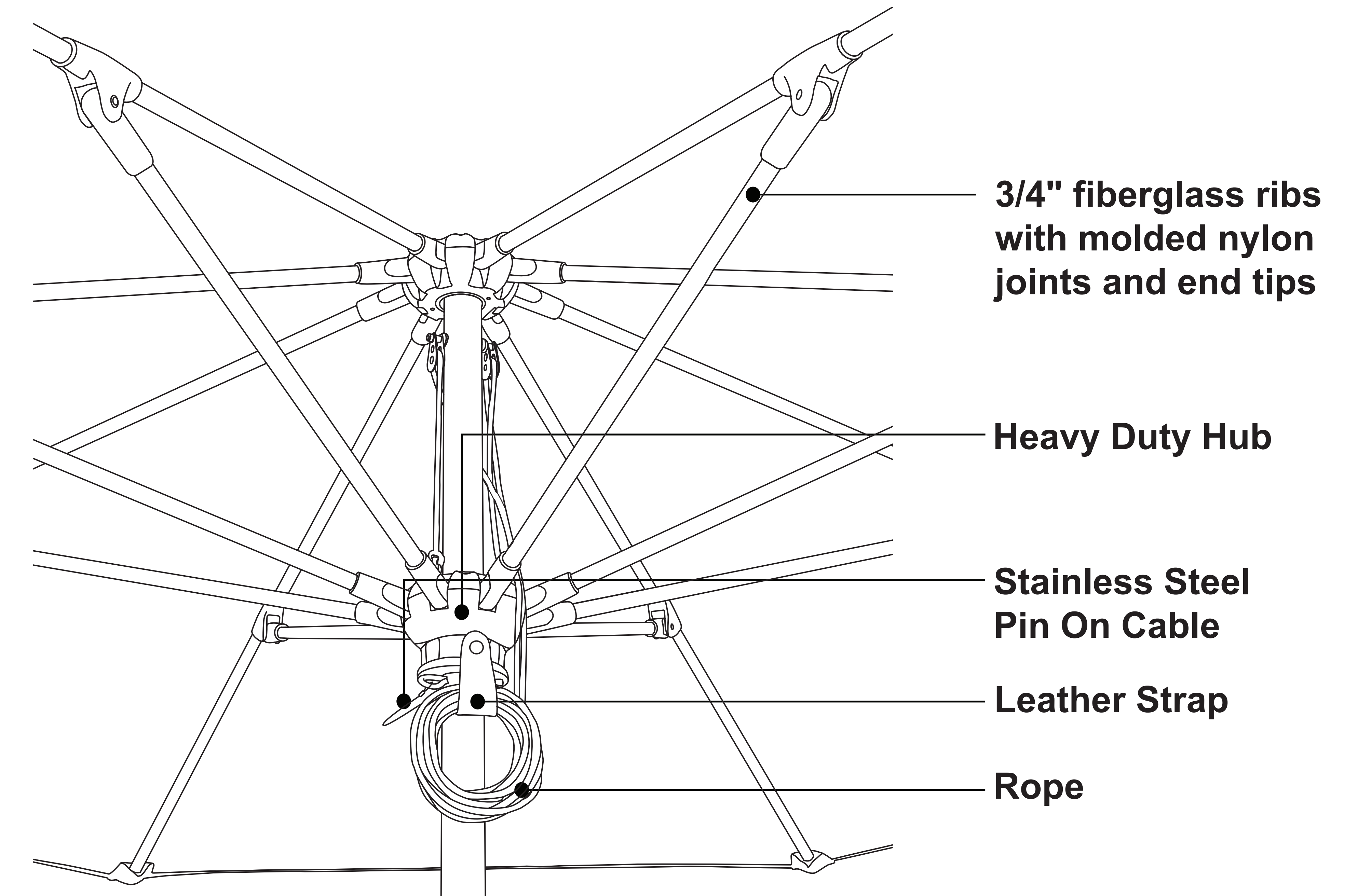


A



DETAIL A
INTERNAL VIEW
OF POLE CONSTRUCTION

B



DETAIL B
RIB, HUB AND PULLEY
ASSEMBLY

GENERAL NOTES:

1. All Dimensions Are In Inches.
2. 93% Manufactured In The USA.

Available Sizes

6' sq with Push Up & Pin Lift Height: 96" Weight: 35 lbs	7 1/2' sq with Push Up & Pin Lift Height: 102" Weight: 51 lbs	10' sq with Push Up & Pin Lift Height: 102" Weight: 55 lbs
--	---	--

PRESTIGE COLLECTION
MODEL: OCEANA SQUARE
DRAWING DATE: 2026