



Fiberbuilt

UMBRELLAS & CUSHIONS

FIBERBUILT UMBRELLAS & CUSHIONS

2201 W. ATLANTIC BLVD
POMPANO BEACH, FL 33069

TOLL FREE: 1-866-667-8668

PHONE: (954) 484-9139

FAX: (954) 484-4654

www.fiberbuiltumbrellas.com

SELECT DESIRED SIZE & SHAPE:

7 1/2' OCT

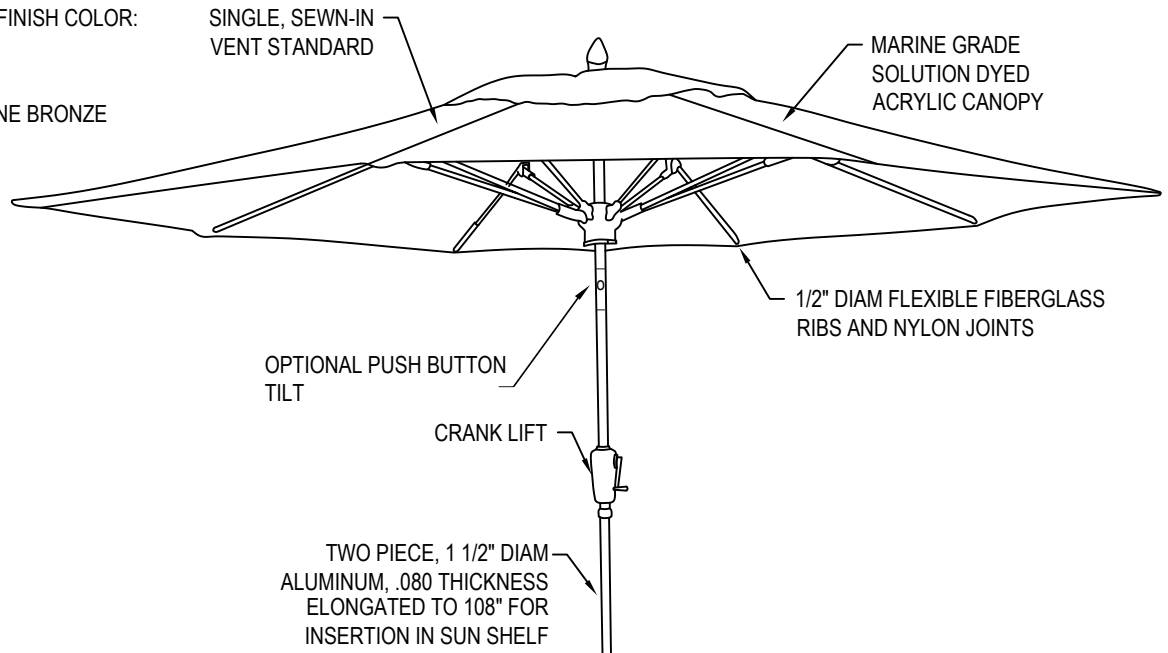
9' OCT

SELECT DESIRED FINISH COLOR:

W - WHITE

CB - CHAMPAGNE BRONZE

K - BLACK



PERSPECTIVE

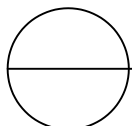
<u>SPECIFICATIONS</u>	7 1/2' OCT	9' OCT	7 1/2' OCT	9' OCT
MODEL #:	7IMCR	9IMCR	7IMCR-T	9IMCR-T
FIBERGLASS RIBS:	1/2" DIAM	1/2" DIAM	1/2" DIAM	1/2" DIAM
LIFT:	CRANK	CRANK	CRANK	CRANK
HEIGHT:	108"	108"	108"	108"
WEIGHT:	20 LBS	23 LBS	20 LBS	23 LBS

MANUFACTURER NOTES:

1. CUSTOM LOGO, CANOPY PATTERNS AND FABRIC OPTIONS ARE AVAILABLE. CONSULT YOUR REPRESENTATIVE, VISIT OUR WEBSITE OR CONTACT THE FACTORY FOR ADDITIONAL INFORMATION.
2. UMBRELLAS MUST BE SECURED IN PROPERLY FITTING IN-POOL SLEEVES. CONSULT YOUR CONTRACTOR.

NOTES:

1. INSTALLATION TO BE COMPLETED IN ACCORDANCE WITH MANUFACTURER'S SPECIFICATIONS.
2. DO NOT SCALE DRAWING.
3. THIS DRAWING IS INTENDED FOR USE BY ARCHITECTS, ENGINEERS, CONTRACTORS, CONSULTANTS AND DESIGN PROFESSIONALS FOR PLANNING PURPOSES ONLY. THIS DRAWING MAY NOT BE USED FOR CONSTRUCTION.
4. ALL INFORMATION CONTAINED HEREIN WAS CURRENT AT THE TIME OF DEVELOPMENT BUT MUST BE REVIEWED AND APPROVED BY THE PRODUCT MANUFACTURER TO BE CONSIDERED ACCURATE.
5. CONTRACTOR'S NOTE: FOR PRODUCT AND COMPANY INFORMATION VISIT www.CADdetails.com/info AND ENTER REFERENCE NUMBER 5294-018



IN-POOL UMBRELLA TWO PIECE POLE WITH CRANK LIFT

UMBRELLAS - IN-POOL COLLECTION